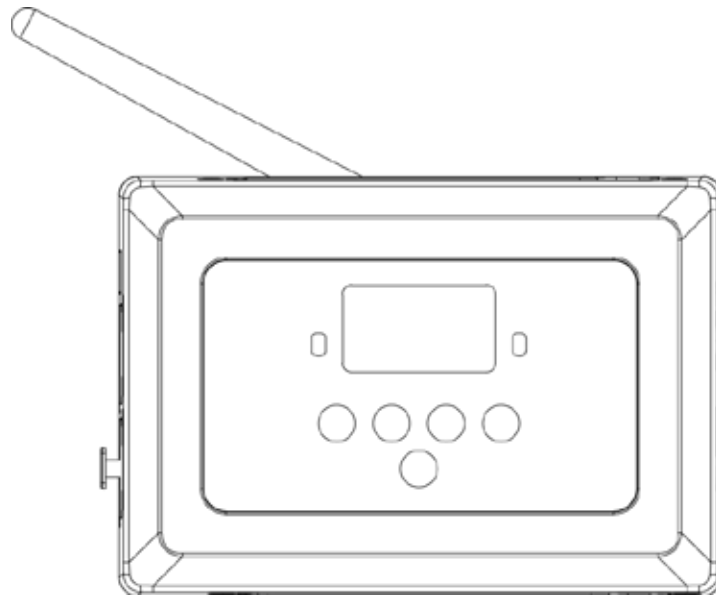




User Manual



CHAUVET

The Chauvet logo consists of the word "CHAUVET" in a bold, sans-serif font, with a stylized, downward-pointing triangle above the letter "V". The triangle is filled with a halftone dot pattern.

TABLE OF CONTENTS

1. Before you Begin	3
What Is Included.....	3
Unpacking Instructions	3
Claims.....	3
Text Conventions.....	3
Symbols	3
Disclaimer	3
Safety Notes	4
FCC Compliance	4
2. Introduction	5
Product Overview	5
Product Dimensions	6
3. Setup.....	7
AC Power.....	7
Mounting.....	7
Orientation	7
Rigging.....	7
4. Operation.....	8
Control Panel Operation	8
Menu Map.....	8
Configuration	8
Programming and Signal Selection	9
5. Technical Information	10
Technical Specifications	10
Returns	11
Contact Us	12

1. BEFORE YOU BEGIN

What Is Included

- D-Fi™ Hub
- Power Supply
- Quick Reference Guide

Unpacking Instructions

Carefully unpack the product immediately and check the container to make sure all the parts are in the package and are in good condition.

Claims




If the box or the contents (the product and included accessories) appear damaged from shipping, or show signs of mishandling, notify the carrier immediately, not Chauvet. Failure to report damage to the carrier immediately may invalidate your claim. In addition, keep the box and contents for inspection.

For other issues, such as missing components or parts, damage not related to shipping, or concealed damage, file a claim with Chauvet within 7 days of delivery.

Text Conventions

Convention	Meaning
1–512	A range of values
50/60	A set of values of which only one can be chosen
<i>Settings</i>	A menu option not to be modified
<i>Menu > Settings</i>	A sequence of menu options to be followed
<ENTER>	A key to be pressed on the product's control panel
ON	A value to be entered or selected

Symbols

Symbol	Meaning
	Critical installation, configuration, or operation information. Not following these instructions may make the product not work, cause damage to the product, or cause harm to the operator.
	Important installation or configuration information. The product may not function correctly if this information is not used.
	Useful information.

Disclaimer

Chauvet believes that the information contained in this manual is accurate in all respects. However, Chauvet assumes no responsibility and specifically disclaims any and all liability to any party for any loss, damage, or disruption caused by any errors or omissions in this document, whether such errors or omissions result from negligence, accident, or any other cause. Chauvet reserves the right to revise the content of this document without any obligation to notify any person or company of such revision; however, Chauvet has no obligation to make, and does not commit to make, any such revisions.

Download the latest version of this document from www.chauvetdj.com.

© Copyright 2020 Chauvet. All rights reserved

Electronically published by Chauvet in the United States of America

CHAUVET, the Chauvet logo, and D-Fi™ Hub are registered trademarks or trademarks of Chauvet & Sons, LLC (d/b/a Chauvet and Chauvet Lighting) in the United States and other countries. Other company and product names and logos referred to herein may be trademarks of their respective companies.

Safety Notes

Please read the following Safety Notes carefully before working with this product. They include important safety information about its installation, usage, and maintenance.



- Always connect this product to a grounded circuit to avoid the risk of electrocution.
- Make sure the power cord is not crimped or damaged.
- Never disconnect this product from power cord by pulling or tugging on the cord.
- If mounting this product overhead, always secure it to a fastening device using a safety cable.
- Make sure there are no flammable materials close to the unit while operating.



- Always make sure that the voltage of the outlet to which you are connecting this product is within the range stated on the decal or rear panel of the product.
- This product is for indoor use only! (IP20) To prevent risk of fire or shock, do not expose this product to rain or moisture.
- Never connect this product to a dimmer.
- Never carry this product from the power cord or any moving part.
- The maximum ambient temperature is 104 °F (40 °C). Do not operate this product at higher temperatures.
- In the event of a serious operating problem, stop using the unit immediately.
- Never try to repair this product. Repairs carried out by unskilled people can lead to damage or malfunction. Please contact the nearest authorized technical assistance center.
- To eliminate unnecessary wear and improve its lifespan, during periods of non-use completely disconnect the product from power via the breaker or by unplugging it.



- Keep this User Manual for future consultation. If you sell this product to another user, be sure that they also receive this document.

FCC Compliance

This equipment has been tested and found to comply with the limits for a Class B digital device, pursuant to part 15 of the FCC Rules. These limits are designed to provide reasonable protection against harmful interference in a residential installation. This equipment generates, uses, and can radiate radio frequency energy and, if not installed and used in accordance with instructions, may cause harmful interference to radio communications.

However, there is no guarantee that interference will not occur in a particular installation. If this equipment does cause harmful interference to radio or television reception, which can be determined by turning the equipment off and on, the user is encouraged to try to correct the interference by one or more of the following measures:

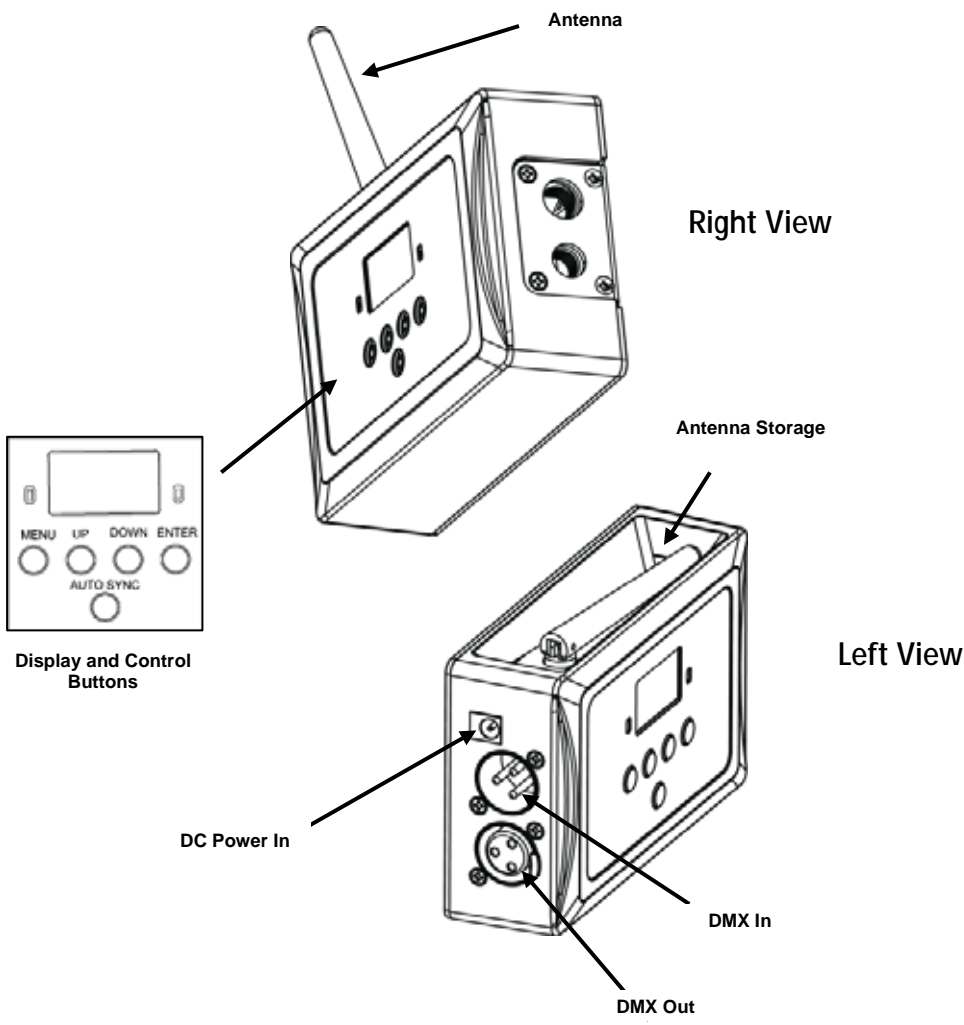
- (1) Reorient or relocate the receiving antenna.
- (2) Increase the separation between the equipment and receiver.
- (3) Connect the equipment into an outlet on a circuit different from that to which the receiver is connected.
- (4) Consult the dealer or an experienced radio/TV technician for help.

Caution: Any changes or modifications to this device not explicitly approved by manufacturer could void your authority to operate this equipment.

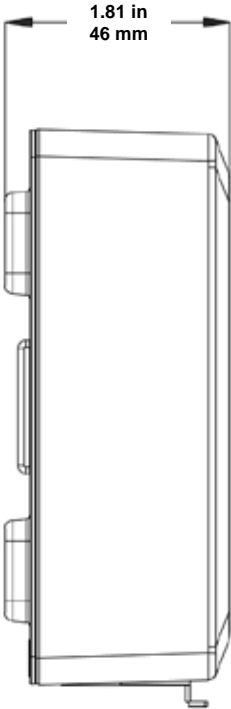
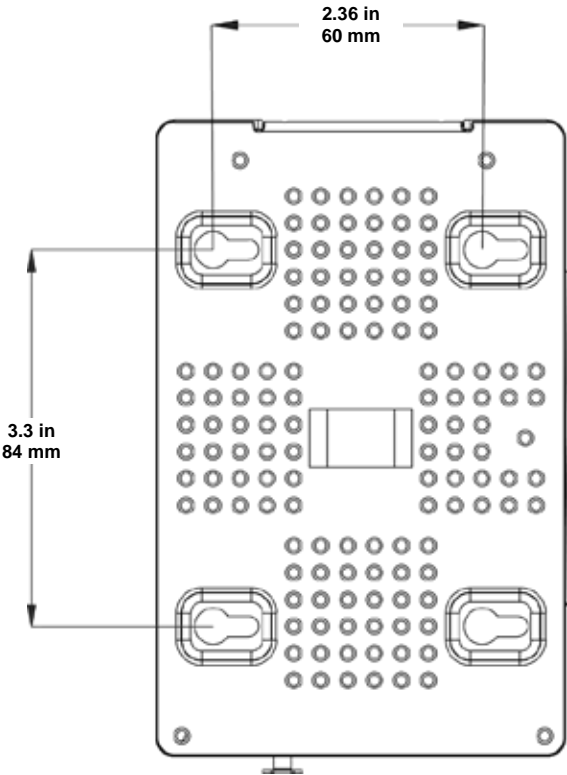
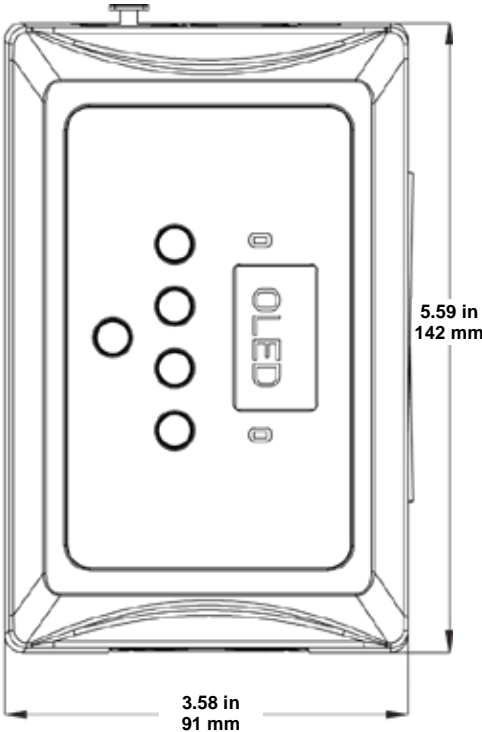
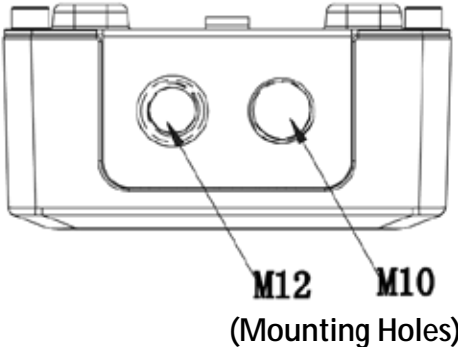
This device complies with part 15 of the FCC rules. Operation is subject to the following two condition: (1) This device may not cause harmful interference, and (2) this device must accept any interference received, including interference that may cause undesired operation.

2. INTRODUCTION

Product Overview



Product Dimensions



3. SETUP

AC Power

This product has an auto-ranging external power supply and it can work with an input voltage of 100 to 240 VAC, 50/60 Hz. It runs on 9 VDC, 500 mA.

To determine the power requirements for this product (power outlet and wiring), use the current value listed on the label affixed to the product's back panel, or refer to the product's specifications chart. The listed current rating indicates the product's average current draw under normal conditions.



Always connect this product to a protected circuit (circuit breaker or fuse), making sure that it has an appropriate electrical ground to avoid the risk of electrocution or fire.



Never connect this product to a rheostat (variable resistor) or dimmer circuit, even if the rheostat or dimmer channel serves only as a 0 to 100% switch.

Mounting

Before mounting this product, read and follow the [Safety Notes](#).

Orientation

The D-Fi™ Hub may be mounted in any position; however, make sure adequate ventilation is provided around the product.

Rigging

Before deciding on a location for this product, always make sure that it will be easy to access the unit for maintenance and programming purposes.

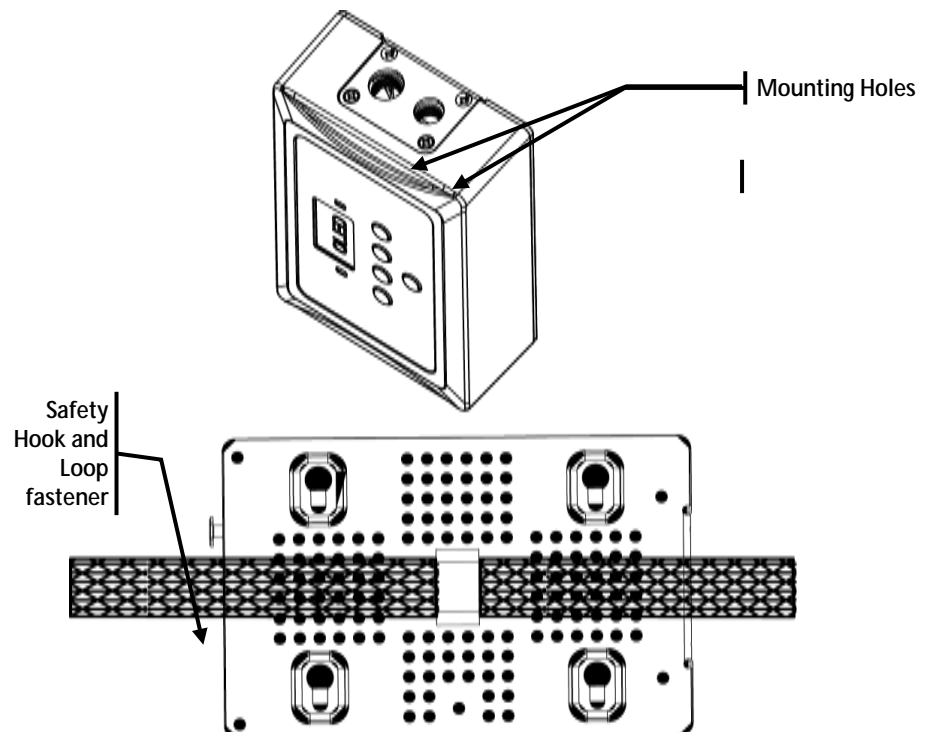
Make sure that the structure onto which you are mounting this product can support its weight. See the [Technical Specifications](#) for weight information.

When mounting this product overhead, always use a safety cable. Mount the product securely to a rigging point, whether an elevated platform or a truss.

When rigging this product onto a truss, you should use a mounting clamp of appropriate weight capacity.

The product also has 4 teardrop holes located on the back for easy wall mounting.

Mounting Diagram



4. OPERATION

Control Panel Operation

To access the control panel functions, use the four buttons located around the display. Please refer to the Product Overview to see the buttons location on the control panel.

Button	Function
<MENU>	Press to find an operation mode or to back out of the current menu option
<UP>	Press to scroll up the list of options or to find a higher value
<DOWN>	Press to scroll down the list of options or to find a lower value
<ENTER>	Press to activate a menu option or a selected value
<AUTO>	Detects the D-Fi™ signal for synchronization of products

Menu Map

Main Function	Programming Steps		Description
Settings	Receive Mode	CH01-016	Allows selection of a specific D-Fi™ channel for receiving signal
	Transmit Mode	CH01-016	Allows selection of a specific D-Fi™ channel for transmitting signal
	Receive Auto		Triggers the D-Fi™ Hub to auto-select a channel for receiving signal
	Transmit Auto		Triggers the D-Fi™ Hub to auto-select a channel for transmitting signal

Configuration

The D-Fi™ Hub can be used two ways:

- It can be connected to any DMX controller and transmit to D-Fi™-compatible lights.
- It can be connected to any DMX lights and receive from a D-Fi™-compatible controller.

To set this product in DMX mode:

1. Connect this product to a suitable power outlet.
2. Connect a DMX cable from the DMX output of the DMX controller to the DMX input socket of this product.



You can sync an unlimited amount of Receivers to one Transmitter.



To ensure strong signals, the units should be elevated 5 feet or higher off the ground and remain in an unobstructed line of sight of each other.



For the best results, add individual receivers using Manual mode to ensure you can select the same channel for the additional products.

Programming and Signal Selection

To connect the D-Fi™ Hub to a DMX controller and configure it to transmit to D-Fi™-compatible lights, do the following:

1. Connect the hub to the controller using a DMX cable.
2. Connect the hub to power.

If the display shows **Transmit Manual <CHXX>**, where **XX** is a value between **01** and **16**, the hub is already configured for manual transmission.

3. Press **<MENU>** and the display shows **Settings** with 2 words underneath.
4. Press **<ENTER>** and the 2 words become highlighted.
5. Use **<UP>** or **<DOWN>** to cycle through the highlighted options until the display shows **Transmit Manual**.

Note: Selecting Transmit Auto automatically detects a transmission signal when used in conjunction with <AUTO SYNC>.

6. Press **<ENTER>** and the display shows **Transmit Manual** with **<CHXX>** highlighted, where **XX** is a value between **01** and **16**.
7. Use **<UP>** or **<DOWN>** to cycle through the highlighted channel options and select the channel to use for D-Fi™ transmission.
8. Press **<ENTER>** and the display shows **Transmit Manual <CHXX>**, where **XX** is the channel selected in step 8.

The hub is now configured for manual signal transmission.

NOTE: All the lights must be set to the D-Fi™ channel shown on the hub's display.

To connect the D-Fi™ Hub to any DMX lights and configure it to receive D-Fi™ signals from a D-Fi™-compatible hub, do the following:

1. Connect the hub to the lights using a DMX cable.
2. Connect the hub to power.

If the display shows **Receive Manual <CHXX>**, where **XX** is a value between 01 and 16, the hub is already configured for manual reception.

3. Press **<MENU>** and the display shows **Settings** with 2 words underneath.
4. Press **<ENTER>** and the 2 words become highlighted.
5. Use **<UP>** or **<DOWN>** to cycle through the highlighted options until the display shows **Receive Manual**.

Note: Selecting Receive Auto automatically detects a receiving signal when used in conjunction with <AUTO SYNC>.

6. Press **<ENTER>** and the display shows **Receive Manual** with **<CHXX>** highlighted, where **XX** is a value between 01 and 16.
7. Use **<UP>** or **<DOWN>** to cycle through the highlighted channel options and select the channel to use for D-Fi™ reception.
8. Press **<ENTER>** and the display shows **Receive Manual <CHXX>**, where **XX** is the channel number selected in step 8.

The hub is now configured for manual signal reception.

NOTE: The controller must be set to the D-Fi™ channel shown on the hub's display.

Information about using D-Fi™ lights and controllers is in the product manuals at the Chauvet website: www.chauvetdj.com.

Information about DMX is in the CHAUVET® DMX Primer at http://www.chauvetlighting.com/downloads/DMX_Primer_rev05_WO.pdf.

5. TECHNICAL INFORMATION

Technical Specifications

Dimensions and Weight	Length	Width	Height	Weight
	5.59 in (142 mm)	3.58 in (91 mm)	1.81 in (46 mm)	1.2 lb (0.6 kg)

Note: Dimensions in inches rounded to the nearest decimal digit.

Power	Power Supply Type	Range	Input Voltage
	External	100 to 240 V, 50/60 Hz	9 VDC, 500 mA

Wireless	RF Output	Refresh Rate	Frequency Range
	18.5 dbm max range 656 ft (200 m)	40 Hz/s	2433 to 2481 GHz

Thermal	Maximum External Temp.	Cooling System
	104 °F (40 °C)	Convection

DMX	I/O Connectors	Connector Type
	3-XLR	Socket

Ordering	Product Name	Item Code	UPC Number
	D-Fi™ Hub	03080816	781462211646



To return a product or request support:

- If you live in the U.S., contact Chauvet World Headquarters (see [Contact Us](#)).
- If you live in the U.K. or Ireland, contact Chauvet Europe Ltd. (see [Contact Us](#)).
- If you live in Mexico, contact Chauvet Mexico (see [Contact Us](#)).
- If you live in any other country, DO NOT contact Chauvet. Instead, contact your distributor of record. Refer to our Web site for contact details of distributors outside the U.S., U.K., or Ireland.



If you live outside the U.S., U.K., or Ireland, contact your distributor of record and follow their instructions on how to return Chauvet products to them. Visit our Web site for contact details.

Returns

Call the corresponding Chauvet Tech Support office and request a Return Merchandise Authorization (RMA) number before shipping the product. Be prepared to provide the model number, serial number, and a brief description of the cause for the return.

You must send the merchandise prepaid, in its original box, and with its original packing and accessories. Chauvet will not issue call tags.

Clearly label the package with the RMA number. Chauvet will refuse any product returned without an RMA number.



DO NOT write the RMA number directly on the box. Instead, write it on a properly affixed label.

Before sending the product, clearly write the following information on a piece of paper and place it inside the box:

- Your name
- Your address
- Your phone number
- RMA number
- A brief description of the problem

Be sure to pack the product properly. Any shipping damage resulting from inadequate packaging will be your responsibility. FedEx packing or double-boxing are recommended.



Chauvet reserves the right to use its own discretion to repair or replace returned product(s).

Contact Us

General Information	Technical Support
Chauvet World Headquarters	
Address: 5200 NW 108th Avenue Sunrise, FL 33351 Voice: (954) 577-4455 Toll free: (800) 762-1084	Voice: (844) 393-7575 Email: chauvetcs@chauvetlighting.com Website: www.chauvetprofessional.com
Chauvet Europe Ltd	
Address: Unit 1C Brookhill Road Industrial Estate Pinxton, Nottingham, UK NG16 6NT Voice: +44 (0)1773 511115	Email: uktech@chauvetlighting.com Website: www.chauvetlighting.co.uk
Chauvet Europe BVBA	
Address: Stokstraat 18 9770 Kruishoutem Belgium Voice: +32 9 388 93 97	Email: Eutech@chauvetlighting.com Website: www.chauvetlighting.eu
Chauvet France	
Address: 3, Rue Ampère 91380 Chilly-Mazarin France Voice: +33 1 78 85 33 59	Email: Eutech@chauvetlighting.com Website: www.chauvetlighting.eu
Chauvet Germany	
Address: Bruno-Bürgel-Str. 11 28759 Bremen Germany Voice: +49 421 62 60 20	Email: Eutech@chauvetlighting.com Website: www.chauvetlighting.eu
Chauvet Mexico	
Address: Av. de las Partidas 34-3B (Entrance by Calle 2) Zona Industrial Lerma Lerma, Mexico C.P. 52000 Voice: +52 (728) 690-2010	Email: servicio@chauvet.com.mx Website: www.chauvetprofessional.mx

Outside the U.S., U.K., Ireland, Benelux, France, Germany, or Mexico, contact the dealer of record. Follow the instructions to request support or to return a product. Visit our website for contact details.