



TECHNICAL SHEET

UE Extra Shooter 3"

Article Code: PFPOES001013

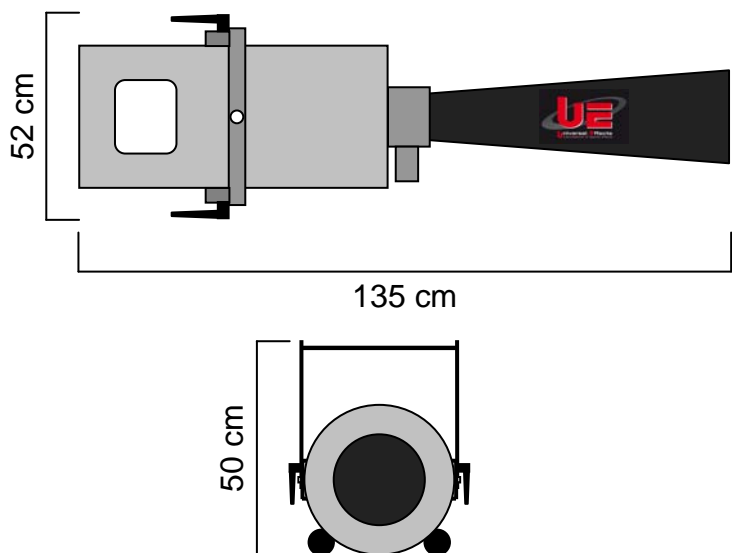
The UE Extra Shooter 3" is a confetti launching machine through a small venturi tube. Designed to be put on the ground or suspended. The effect will be amazing by using a large quantity of machines suspended to a stage truss.

Shots from 8 to 12m according to the consumable.

Electric drive of the shootings with the following optional accessories: Power Electrovalve Eco and Power Box DMX-512 Extra-Shooter.

NOMENCLATURE

- 1 x UE Extra Shooter 3"
- 1 x Output venturi tube



TECHNICAL SPECIFICATIONS

Dimensions: L 135 x W 52 x H 50 cm
Weight: 10.2 Kg

High pressure 50B/m

FEATURES

Shots from 8 to 12m powered by CO₂, with high pressure bottle 50Bar

Positioning on the floor or suspended with the adjustable bracket.

OPTIONAL ACCESSORIES

- UE Box DMX Shooter 1EV
- UE Electro Valve Shooter ECO
- UE Manometer 100 Bar
- UE Ground Foot Tube
- UE HP-Pipe (Custom length)
- UE Connection Shooter (3 versions)

CONSUMPTION

½ to 1 Kg per second minimum

CONSUMABLES

- CO₂ gas bottle 50 Bar
- Paper and metal stage confetti

Made with ALUMINIUM and STAINLESS STEEL, the UE Extra Shooter 3" is a durable product. Each component has been selected for its quality and its efficiency.

Universal-Effects, Quality and Innovation made in France

Universal-Effects Europe – Parc de l'Évènement, 1 Allée d'Effiat, 91160 LONGJUMEAU – FRANCE
Factory & Delivery : Universal-Effects Manufacture – 87 Route de Montcenis, 71200 LE CREUSOT – FRANCE
Office +33 (0)385 730 747 – Fax +33 (0)385 730 745 – Email info@ue-europe.com – www.ue-europe.com