

FREEDOM PAR^{Q9}

FREEDOM PAR^{Q9} x4

User Manual




CHAUVET **2**

Edition Notes

The Freedom Par Q9 and Freedom Par Q9X4 User Manual includes a description, safety precautions, installation, programming, operation, and maintenance instructions for the Freedom Par Q9 as of the release date of this edition.

Trademarks

Chauvet, Chauvet DJ, the Chauvet logo, and Freedom Par are registered trademarks or trademarks of Chauvet & Sons, LLC (d/b/a Chauvet and Chauvet Lighting) in the United States and other countries. Other company and product names and logos referred to herein may be trademarks of their respective companies.

Copyright Notice

The works of authorship contained in this manual, including, but not limited to, all designs, text, and images are owned by Chauvet.

© Copyright 2024 Chauvet & Sons, LLC. All rights reserved.

Electronically published by Chauvet in the United States of America.

Manual Use

Chauvet authorizes its customers to download and print this manual for professional information purposes only. Chauvet expressly prohibits the usage, copy, storage, distribution, modification, or printing of this manual or its content for any other purpose without written consent from Chauvet.

Document Printing

For best results, print this document in color, on letter size paper (8.5 x 11 in), double-sided. If using A4 paper (210 x 297 mm), configure the printer to scale the content accordingly.

Intended Audience

Any person installing, operating, and/or maintaining this product should completely read through the guide that shipped with the product, as well as this manual, before installing, operating, or maintaining this product.

Disclaimer

Chauvet believes that the information contained in this manual is accurate in all respects. However, Chauvet assumes no responsibility and specifically disclaims any and all liability to any party for any loss, damage, or disruption caused by any errors or omissions in this document, whether such errors or omissions result from negligence, accident, or any other cause. Chauvet reserves the right to revise the content of this document without any obligation to notify any person or company of such revision; however, Chauvet has no obligation to make, and does not commit to make, any such revisions.

Document Revision

Go to www.chauvetdj.com for the latest version.

| Revision | Date | Description |
|----------|---------|--|
| 5 | 03/2024 | Updated run time function; added battery power information |

Table of Contents

- 1. Before You Begin** 1
 - What Is Included 1
 - Unpacking Instructions..... 1
 - Claims 1
 - Text Conventions 1
 - Symbols 1
 - Safety Notes..... 2
 - Battery Charge Notes..... 2
 - FCC Statement of Compliance 3
 - RF Exposure Warning for North America and Australia..... 3
- 2. Introduction** 4
 - Product Overview 4
 - Product Dimensions 5
- 3. Setup** 6
 - AC Power 6
 - Battery Power..... 6
 - Mounting 7
 - Orientation..... 7
 - Rigging..... 7
 - Accessories 8
- 4. Operation** 9
 - Control Panel Operation..... 9
 - Menu Map 9
 - DMX Configuration 11
 - DMX Personality and Starting Address..... 11
 - DMX Values 12
 - Standalone Configuration..... 14
 - Preset Color Mode 14
 - Fixed Color Mode..... 14
 - Custom Color Mixing..... 14
 - Automatic Programs..... 15
 - Sound Sensitivity..... 15
 - D-Fi Setting 15
 - RF Setting 16
 - Run Time..... 16
 - Dimmer Mode..... 16
 - Display Back Light..... 16
 - Password 16
 - Product Information..... 16
 - Factory Reset..... 16
 - Master/Slave Mode 17
 - RFC Remote Control..... 18
 - RFC Remote Control Operation..... 18
- 5. Maintenance**..... 19
 - Product Maintenance 19
- 6. Technical Specifications** 20
- Contact Us** 21
 - Warranty & Returns..... 21

1. Before You Begin

What Is Included

Freedom Par Q9

- Freedom Par Q9
- External power supply
- Magnetic diffuser
- Quick Reference Guide

Freedom Par Q9X4

- 4 Freedom Par Q9 products
- 4 magnetic diffusers
- Carry bag
- RFC
- Multi-charger
- Power cable
- Quick Reference Guide

Unpacking Instructions

Carefully unpack the product immediately and check the container to make sure all the parts are in the package and are in good condition.

Claims





If the box or the contents (the product and included accessories) appear damaged from shipping, or show signs of mishandling, notify the carrier immediately, not Chauvet. Failure to report damage to the carrier immediately may invalidate the claim. Keep the box and contents for inspection.

For other issues, such as missing components or parts, damage not related to shipping, or concealed damage, file a claim with Chauvet within 7 days of delivery.

Text Conventions

| Convention | Meaning |
|----------------------|--|
| 1–512 | A range of values |
| 50/60 | A set of values of which only one can be chosen |
| Settings | A menu option not to be modified |
| <ENTER> | A key to be pressed on the product's control panel |
| ON | A value to be entered or selected |

Symbols

| Symbol | Meaning |
|---|---|
|  | Electrical warning. Not following these instructions may cause electrical damage to the product, accessories, or the user. |
|  | Critical installation, configuration, or operation information. Not following these instructions may make the product not work, cause damage to the product, or cause harm to the operator. |
|  | Important installation or configuration information. The product may not function correctly if this information is not used. |
|  | Useful information. |

Safety Notes



- **ALWAYS:**
 - Connect to a grounded circuit.
 - Connect to operating voltages as specified on the product's spec sticker.
 - Disconnect from power before replacing the fuse.
 - Disconnect from its power source during periods of inactivity.
 - Use a safety cable when suspending overhead.
 - Heed all restrictions and warnings on the spec sticker.
 - Mount in a location with at least 20 in (50 cm) of ventilation.
 - Replace the fuse with the same type and rating.
- In the event of a serious operating problem, stop using immediately.
- **DO NOT:**
 - Open this product or attempt any repairs. It contains no user-serviceable parts.
 - Look at the light source when the product is on.
 - Use if the power cord is crimped or damaged.
 - Disconnect by pulling on the power cord.
 - Allow flammable materials close to the product when it is operating.
 - Touch the housing when it is on.
 - Block any ventilation holes/slots in the housing.
 - Connect to a dimmer or rheostat.
 - Carry the product by its power cord.
 - Operate in temperatures higher than 104°F (40°C).
 - Expose to environments that exceed the Ingress Protection (IP) rating.
 - Expose to rain or moisture.
 - Use outdoors.
 - Submerge.
 - Expose to corrosive environmental conditions such as temperature, humidity, salinity, pressure, radiation, or shock.
 - Set this product on a flammable surface.



Battery Charge Notes

Rechargeable lithium-ion batteries are potentially hazardous and can present a serious FIRE HAZARD, SERIOUS INJURY and/or PROPERTY DAMAGE if damaged, defective, or improperly used.



- **ALWAYS:**
 - ◆ Charge using a manufacturer-provided charger while the product is powered off.
 - ◆ Charge the battery in temperatures between 32°–95°F (0°–35°C).
 - ◆ Allow a depleted battery to charge for a few minutes before turning on the product. If the battery is completely discharged, the device cannot be turned on immediately when the charger is connected.
 - ◆ Keep at least 3 ft (1 m) distance to any heat source and away from flammable materials.
 - ◆ Keep the lid of any charging case open while charging.
 - ◆ Keep batteries away from children.
 - ◆ Store batteries between 40–60% charge.
 - ◆ Follow local regulations when disposing of batteries.
 - ◆ Replace with an authentic Chauvet battery.
- **DO NOT:**
 - ◆ Continue charging if the battery becomes hot, smokes, swells, or gives off an odor during charging.
 - ◆ Leave the product unattended while charging.
 - ◆ Deplete the battery below 10%.
 - ◆ Charge the battery in a closed container.
 - ◆ Charge for more than 24 hours.

FCC Statement of Compliance

This device complies with Part 15 Part B of the FCC rules. Operation is subject to the following two conditions:

1. This device may not cause harmful interference, and
2. This device must accept any interference received, including interference that may cause undesired operation.

This equipment has been tested and found to comply with the limits for a Class B digital device, pursuant to Part 15 of the FCC Rules. These limits are designed to provide reasonable protection against harmful interference in a residential installation. This equipment generates uses and can radiate radio frequency energy and, if not installed and used in accordance with the instructions, may cause harmful interference to radio communications. However, there is no guarantee that interference will not occur in a particular installation. If this equipment does cause harmful interference to radio or television reception, which can be determined by turning the equipment off and on, the user is encouraged to try to correct the interference by one or more of the following measures:

- Reorient or relocate the receiving antenna.
- Increase the separation between the equipment and receiver.
- Connect the equipment into an outlet on a circuit different from that to which the receiver is connected.
- Consult the dealer or an experienced radio/TV technician for help.

Any changes or modifications not expressly approved by the party responsible for compliance could void the user's authority to operate the equipment.

RF Exposure Warning for North America and Australia

Warning! This equipment complies with FCC radiation exposure limits set forth for an uncontrolled environment. This equipment should be installed and operated with a minimum distance of 20 cm between the radiator and the user. This transmitter must not be co-located or operating in conjunction with any other antenna or transmitter.



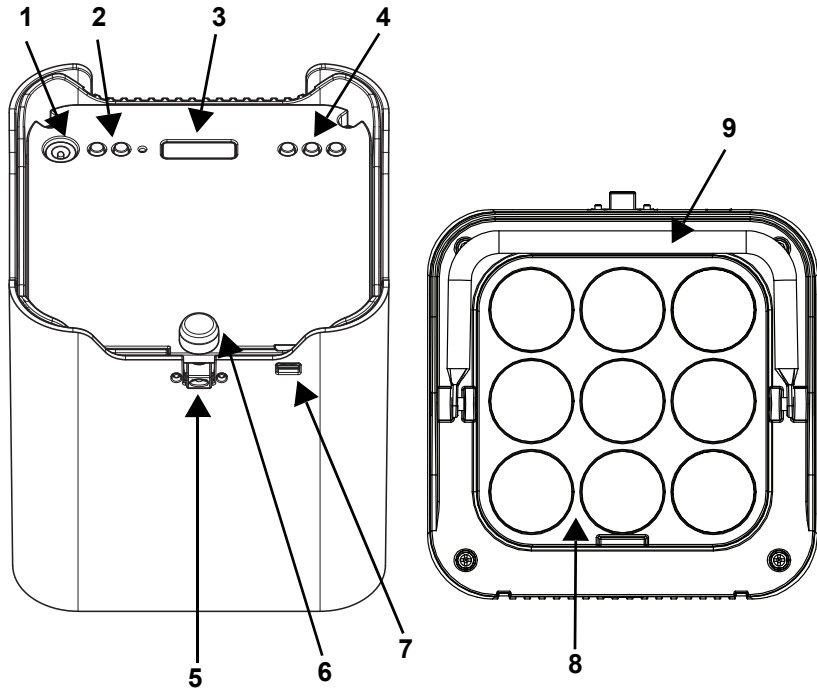
Keep this User Manual for future use.

2. Introduction

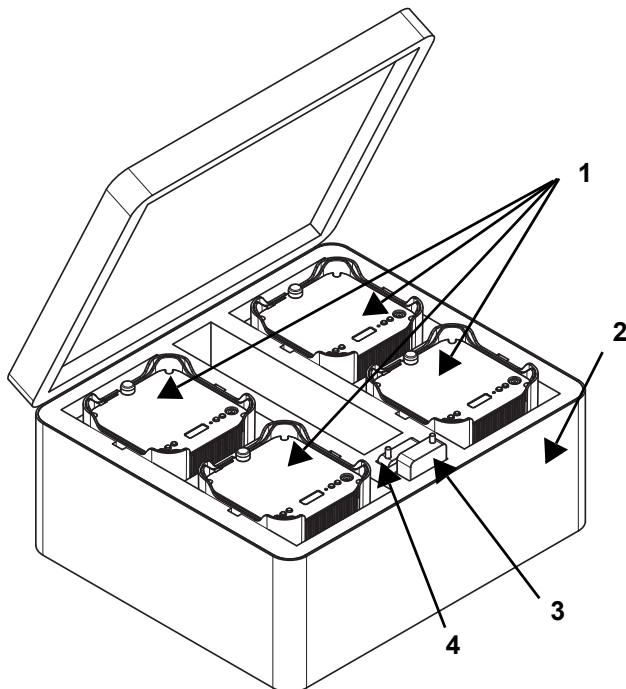
Product Overview

Freedom Par Q9

| # | Name |
|---|---------------------------|
| 1 | DC power in |
| 2 | Battery status indicators |
| 3 | Display screen |
| 4 | Menu buttons |
| 5 | Kickstand release |
| 6 | Kickstand |
| 7 | Kensington security slot |
| 8 | Magnetic diffuser |
| 9 | Carry handle |



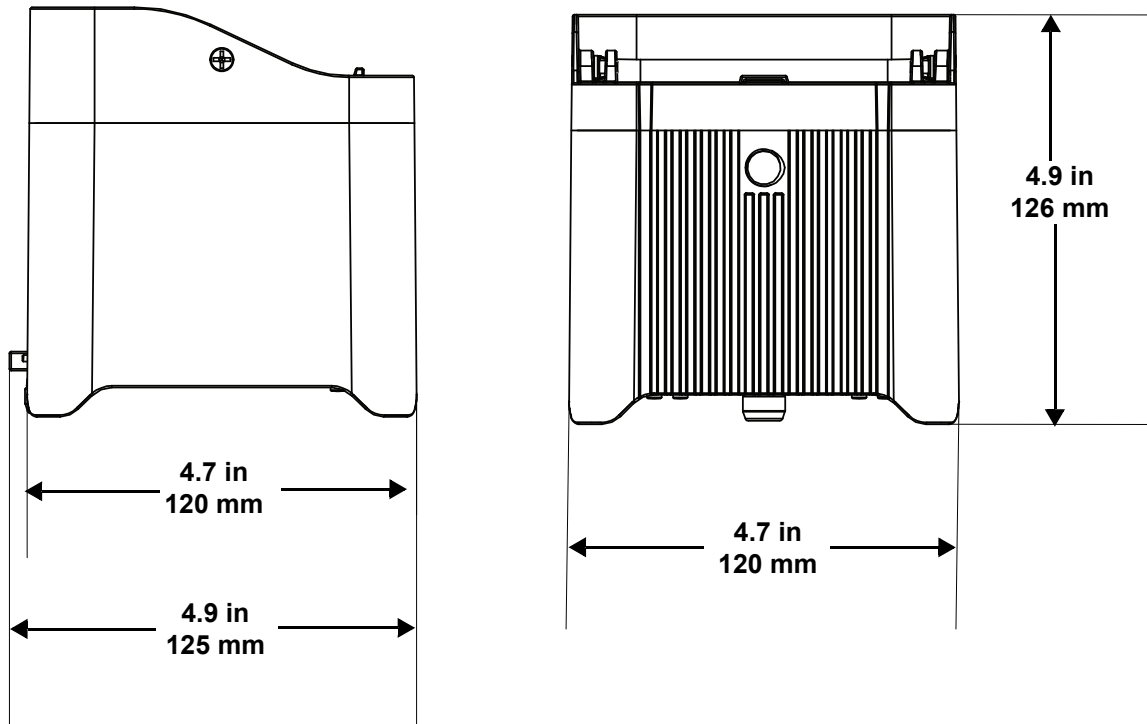
Freedom Par Q9X4



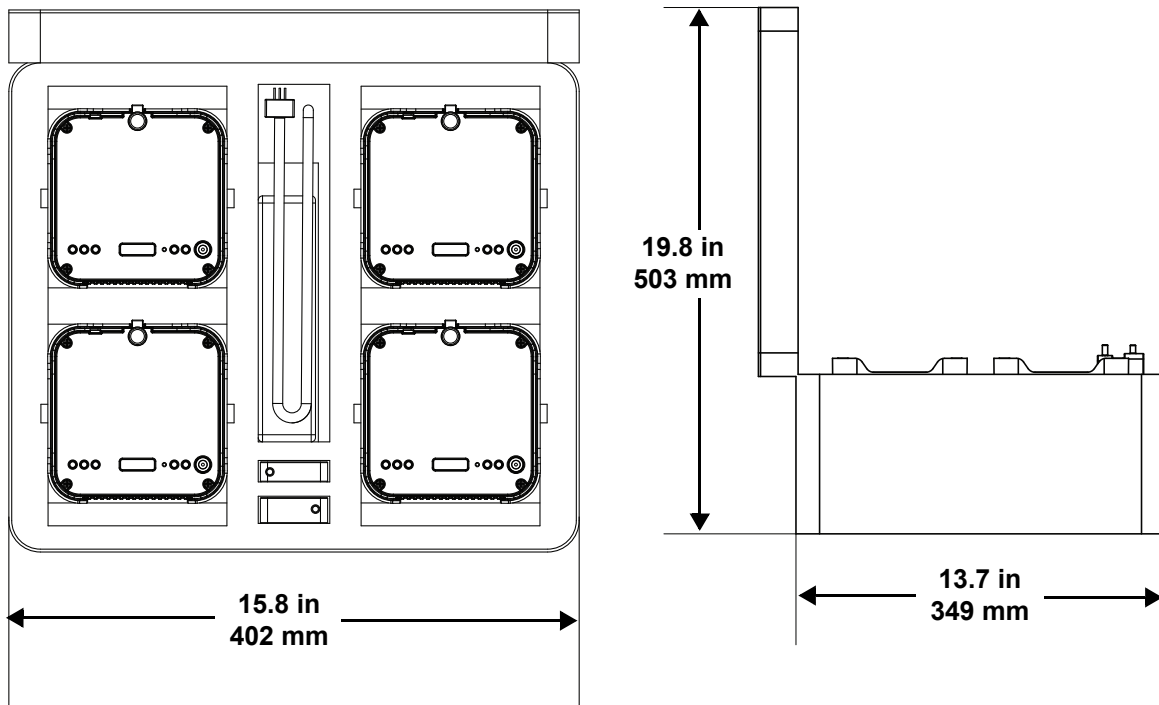
| # | Name |
|---|--------------------------|
| 1 | Freedom Par Q9 (x4) |
| 2 | Custom foam case |
| 3 | RFC-XL remote (optional) |
| 4 | RFC remote |

Product Dimensions

Freedom Par Q9



Freedom Par Q9X4



3. Setup

AC Power

The Freedom Par Q9 has an external power supply and can work with an input voltage of 24 VDC, 50/60 Hz. To determine the product's power requirements (circuit breaker, power outlet, and wiring), use the current value listed on the label affixed to the product's back panel or refer to the product's specifications chart. The listed current rating indicates the product's average current draw under normal conditions.



- **Always connect the product to a protected circuit (a circuit breaker or fuse). Make sure the product has an appropriate electrical ground to avoid the risk of electrocution or fire.**
- **To eliminate unnecessary wear and improve its lifespan, completely disconnect the product from power via breaker or by unplugging it during periods of non-use.**



Never connect the product to a rheostat (variable resistor) or dimmer circuit, even if the rheostat or dimmer channel serves only as a 0 to 100% switch.

Battery Power

The Freedom Par Q9 comes with a rechargeable lithium battery for cable-free operation.

Charging the Battery

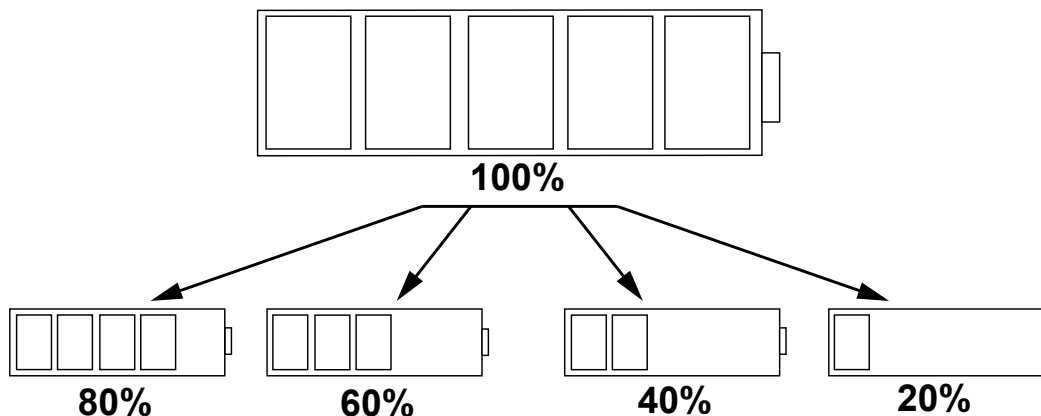
The battery charges whenever the Freedom Par Q9 is plugged into a power source using the included power cord. If the product is plugged in and not in operation, make sure the product is turned off.



- **Before charging the product, read and follow the safety recommendations in the [Safety Notes](#).**
- **The LED indicator light will flash if units are overcharged.**
- **DO NOT use the Freedom Par Q9 on full power mode (all LEDs at 100%) while being charged/plugged into a power source, as the unit will get extremely hot.**

Battery Life Indicator

The indicators on the LED Menu Display show how much battery life remains available. The drawing below provides a key to reading the battery life indicators.



Battery Run Time

| Maximum Run Time | Recharge Time |
|------------------|---------------|
| Up to 12 hours | 3 hours |

Mounting

Before mounting the product, read and follow the safety recommendations indicated in the [Safety Notes](#).

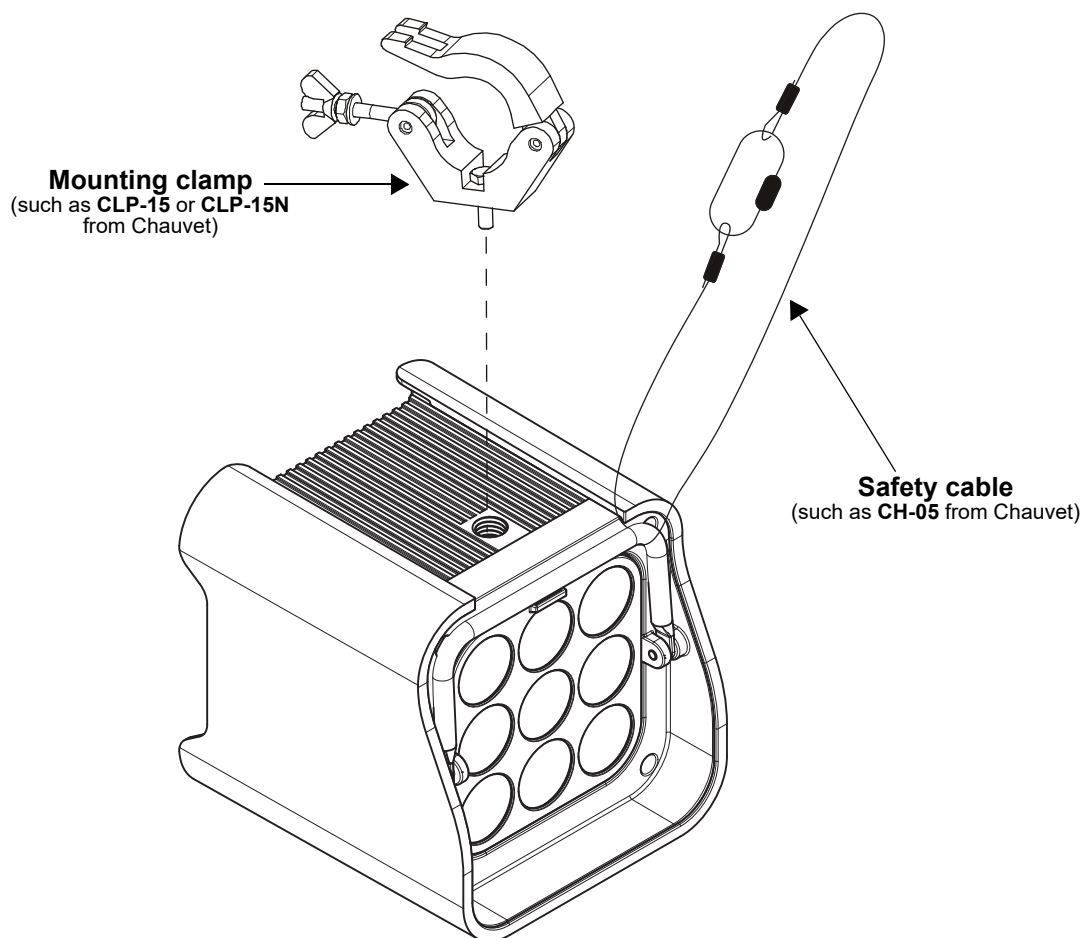
Orientation

The Freedom Par Q9 may be mounted in any position; however, make sure adequate ventilation is provided around the product.

Rigging

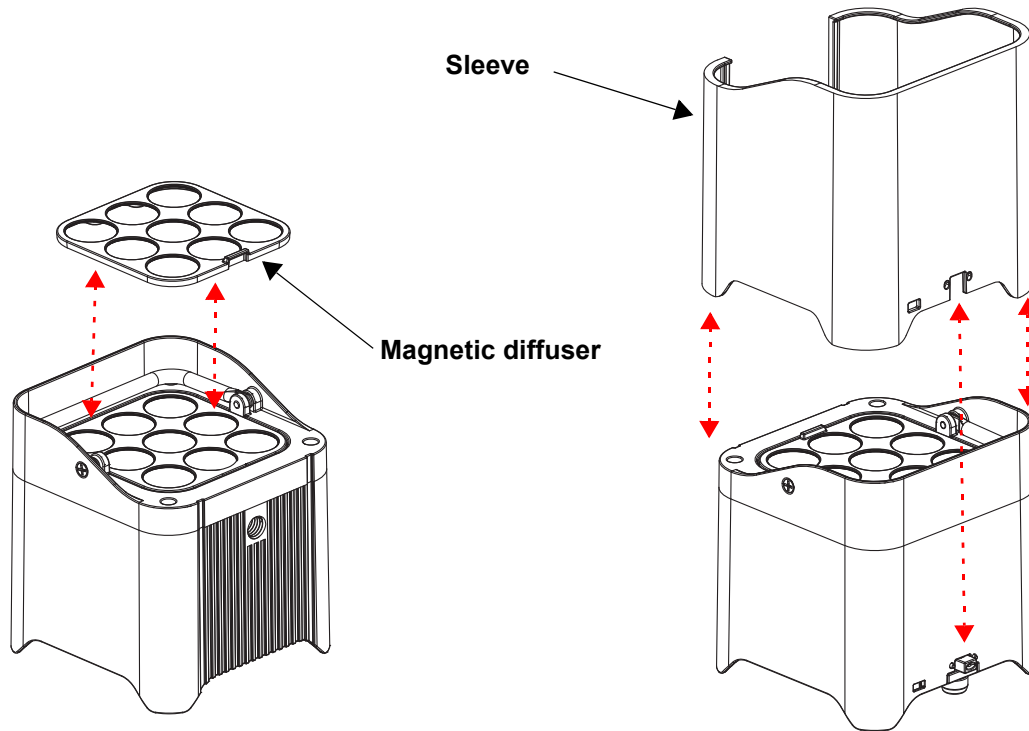
- Before deciding on a location for the product, always make sure there is easy access to the product for maintenance and programming purposes.
- Make sure adequate ventilation is provided around the product.
- Mount the product on a structure or surface that can support the product's weight (see the [Technical Specifications](#) for weight information).
- Always use a safety cable when mounting the product overhead. Mount the product securely to a rigging point (e.g., an elevated platform or a truss).
- Use a mounting clamp of appropriate weight capacity when rigging the product onto a truss.

Mounting Diagram

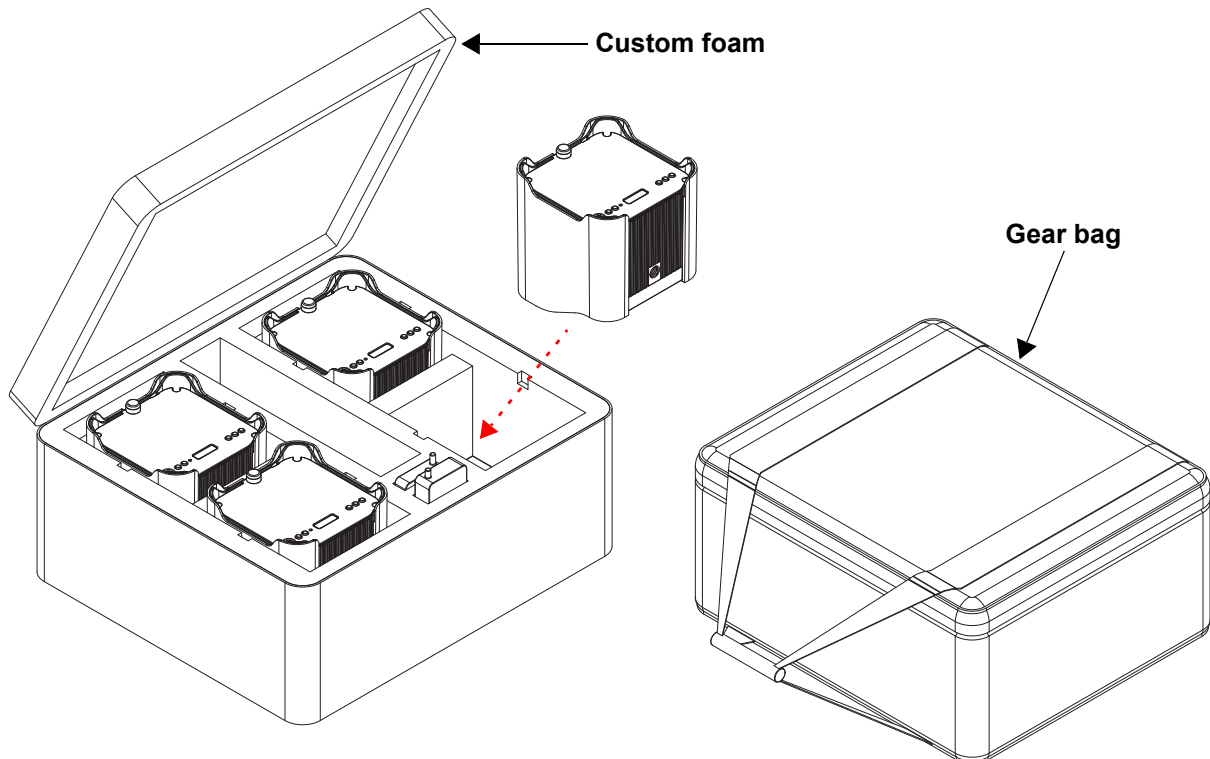


Accessories

The Freedom Par Q9 comes with a removable magnetic diffuser and can be used with a sleeve (sold separately). To attach or remove the magnetic diffuser and/or the sleeve from the fixture, see the diagram below:



The Freedom Par Q9X4 comes in an easily transportable gear bag with custom foam:



4. Operation

Control Panel Operation

To access the control panel functions, use the four buttons located next to the display. Please refer to the [Introduction](#) to see the button locations on the control panel.

| Button | Function |
|---------|--|
| <MENU> | Exits from the current menu or function |
| <UP> | Navigates upwards through the menu list and increases the numeric value when in a function |
| <DOWN> | Navigates downwards through the menu list and decreases the numeric value when in a function |
| <ENTER> | Enables the currently displayed menu or sets the currently selected value into the selected function |

Menu Map

Refer to the Freedom Par Q9 product page on www.chauvetdj.com for the latest menu map.

| Main Menu | Programming Levels | Description |
|-------------|--------------------|------------------------------|
| DMX Address | 001–499 | Selects DMX starting address |
| DMX Channel | 4 Ch | 4-channel DMX mode |
| | 6 Ch | 6-channel DMX mode |
| | 14Ch | 14-channel DMX mode |
| Static | Preset | RED |
| | | GREEN |
| | | BLUE |
| | | AMBER |
| | | YELLOW |
| | | MAGENTA |
| | | SUNSET |
| | | CYAN |
| | | LIME GREEN |
| | | WHITE |
| | | SOL |
| | | SEAFOAM |
| | | TURQUOISE |
| | | ORANGE |
| | | BABY BLUE |
| | | HOT PINK |
| | | EMERALD |
| | | OCEAN |
| | | BABY PINK |
| | | GOLDENROD |
| | | SKY |
| | | LAVENDER |
| | | FADED ORANGE |
| FUSCHIA | | |
| AMBIENT | | |
| 2700K | | |
| 3500K | | |
| 4000K | | |
| 5000K | | |
| 6000K | | |

Selects preset colors

| Main Menu | Programming Levels | | Description | | |
|---------------|--------------------|--------------------------------------|---|---|--|
| Static | Fixed Color | R | Selects a single static color or a combination of static colors | | |
| | | G | | | |
| | | B | | | |
| | | A | | | |
| | | RG | | | |
| | | RB | | | |
| | | RA | | | |
| | | GB | | | |
| | | GA | | | |
| | | BA | | | |
| | | RGB | | | |
| | | RGA | | | |
| | | RBA | | | |
| | | GBA | | | |
| | RGBA | | | | |
| | Manual Color | R= ___ G= ___ B= ___ A= ___ | 0–255 | Combines red, green, blue, and amber to make a custom color (0–100%) | |
| Auto Show | Auto 1–4 | Speed | 0–100 | Selects the foreground and background colors, and adjusts the speed of auto programs Note: Foreground and background colors are available only for auto programs 5–9. | |
| | Auto 5–9 | Speed | 0–100 | | |
| | | FG Color | R | | |
| | | | G | | |
| | | | B | | |
| | | | A | | |
| | | RG | | | |
| | | RB | | | |
| | | RA | | | |
| | | GB | | | |
| | | BG Color | GA | | |
| | | | BA | | |
| | | | RGB | | |
| | | | RGA | | |
| RBA | | | | | |
| GBA | | | | | |
| RGBA | | | | | |
| Off | | | | | |
| Sound Show | Sound Sense | | 000–100 | Adjusts sound sensitivity | |
| Slave Setting | | Slave1 | | Sets which slave unit(s) will mimic the master unit | |
| | | Slave2 | | | |
| | | Slave3 | | | |
| | | Slave4 | | | |
| D-Fi Setting | D-Fi On/Off | On | | Activates/deactivates D-Fi mode | |
| | | Off | | | |
| | D-Fi Mode | Receive | | Sets the product to receive D-Fi signal | |
| Transmit | | | Sets the product to transmit D-Fi signal | | |
| | D-Fi Channel | | CH01–CH16 | Sets D-Fi channel | |
| RF Setting | | Link | | Links the fixture to a single RF remote | |
| | | Public | | Allows the fixture to respond to all RF signals | |
| | Group | | Group1–4 | | Sets which group of fixture the RFC-XL remote will control |
| | | | Off | | Turns off RF reception |

| Main Menu | Programming Levels | Description |
|---------------|------------------------------|--|
| Run Time | STD | Adjusts intensity to start at maximum and decrease over time (*default setting) |
| | 3 Hours | Adjusts the intensity to ensure the fixture will run for the selected time while keeping the output constant |
| | 5 Hours | |
| | 8 Hours | |
| | 12 Hours | |
| Dimmer Mode | Off | Linear dimmer |
| | Dimmer 1 | Dimming curves: Dimmer 1 (fast) to Dimmer 3 (slow) |
| | Dimmer 2 | |
| | Dimmer 3 | |
| Back Light | 10S | Turns off display backlight after 10 seconds of inactivity |
| | 30S | Turns off display backlight after 30 seconds of inactivity |
| | 2Min | Turns off display backlight after 2 minutes of inactivity |
| | Always On | Display backlight remains on |
| Password | Off | Turns off password protection |
| | On | Turns on password protection Default password: <UP>, <DOWN>, <UP>, <DOWN>, <ENTER> |
| Fixture ID | 0000–9999 | Displays the fixture ID |
| Information | Fixture Hours <_ _ _ _ H> | Displays the total hours the product has been powered on |
| | LED Hours <_ _ _ _ H> | Displays the total LED hours |
| | Version <V _ . _ _ _ _ > | Displays firmware version |
| Factory Reset | No | Resets settings to factory default |
| | Yes | |

DMX Configuration

The Freedom Par Q9 works with a DMX controller. Information about DMX is in the Chauvet DMX Primer available from the Chauvet website: www.chauvetdj.com.

DMX Personality and Starting Address

When selecting a starting DMX address, always consider the number of DMX channels the selected DMX mode uses. Choosing a starting address that is too high could restrict access to some of the product's channels.

The Freedom Par Q9 uses up to 14 DMX channels in a 14Ch DMX mode, which defines the highest configurable address to **499**.

For more information about the DMX protocol, download the DMX Primer from: www.chauvetdj.com.

To select the starting address, do the following:

1. Press <MENU> repeatedly until **DMX Address** shows on the display.
2. Press <ENTER>.
3. Use <UP> or <DOWN> to select the starting address, from **001–499**.
4. Press <ENTER>.

DMX Values

| 4Ch | 6Ch | 14Ch | Function | Value | Percent/Setting |
|-----|-----|------|-------------------------|---|---|
| - | 1 | 1 | Dimmer | 000 ⇔ 255 | 0–100% |
| 1 | 2 | 2 | Red | 000 ⇔ 255 | 0–100% |
| 2 | 3 | 3 | Green | 000 ⇔ 255 | 0–100% |
| 3 | 4 | 4 | Blue | 000 ⇔ 255 | 0–100% |
| 4 | 5 | 5 | Amber | 000 ⇔ 255 | 0–100% |
| - | 6 | 6 | Strobe | 000 ⇔ 015 016 ⇔ 255 | No function Strobe, slow to fast |
| - | - | 7 | Color macro | 000 ⇔ 010 011 ⇔ 030 031 ⇔ 050 051 ⇔ 070 071 ⇔ 090 091 ⇔ 110 111 ⇔ 130 131 ⇔ 150 151 ⇔ 170 171 ⇔ 200 201 ⇔ 205 206 ⇔ 210 211 ⇔ 215 214 ⇔ 220 221 ⇔ 225 226 ⇔ 230 231 ⇔ 235 236 ⇔ 240 241 ⇔ 245 246 ⇔ 250 251 ⇔ 255 | No function R: 100% G: 0–100% B: 0% R: 100–0% G: 100% B: 0% R: 0% G: 100% B: 0–100% R: 0% G: 100–0% B: 100% R: 0–100% G: 0% B: 100% R: 100% G: 0% B: 0–100% R: 100% G: 0–100% B: 0–100% R: 100–0% G: 100–0% B: 100% R: 100% G: 100% B: 0% A: 100% Color 1 Color 2 Color 3 Color 4 Color 5 Color 6 Color 7 Color 8 Color 9 Color 10 Color 11 |
| - | - | 8 | Auto programs | 000 ⇔ 021 022 ⇔ 043 044 ⇔ 065 066 ⇔ 087 088 ⇔ 109 110 ⇔ 131 132 ⇔ 153 154 ⇔ 175 176 ⇔ 197 198 ⇔ 219 220 ⇔ 241 242 ⇔ 255 | No function Auto program 1 Auto program 2 Auto program 3 Auto program 4 Auto program 5 Auto program 6 Auto program 7 Auto program 8 Auto program 9 Auto program 1–9 Sound show |
| - | - | 9 | Foreground color dimmer | 000 ⇔ 255 | 0–100% |

| 4Ch | 6Ch | 14Ch | Function | Value | Percent/Setting |
|-----------|-----|------|---|-----------|---------------------------------------|
| - | - | 10 | Foreground color (when Channel 8 is set to 110 ⇔ 219) | 000 ⇔ 003 | Red |
| | | | | 004 ⇔ 007 | Green |
| | | | | 008 ⇔ 011 | Blue |
| | | | | 012 ⇔ 015 | Amber |
| | | | | 016 ⇔ 019 | Red + green |
| | | | | 020 ⇔ 023 | Red + blue |
| | | | | 024 ⇔ 027 | Red + amber |
| | | | | 028 ⇔ 031 | Green + blue |
| | | | | 032 ⇔ 035 | Green + amber |
| | | | | 036 ⇔ 039 | Blue + amber |
| | | | | 040 ⇔ 043 | Red + green + blue |
| | | | | 044 ⇔ 047 | Red + green + amber |
| | | | | 048 ⇔ 051 | Red + blue + amber |
| | | | | 052 ⇔ 055 | Green + blue + amber |
| | | | | 056 ⇔ 059 | Red + green + blue + amber |
| 060 ⇔ 255 | Off | | | | |
| - | - | 11 | Background color dimmer | 000 ⇔ 255 | 0–100% |
| - | - | 12 | Background color (when Channel 8 is set to 110 ⇔ 219) | 000 ⇔ 003 | Red |
| | | | | 004 ⇔ 007 | Green |
| | | | | 008 ⇔ 011 | Blue |
| | | | | 012 ⇔ 015 | Amber |
| | | | | 016 ⇔ 019 | Red + green |
| | | | | 020 ⇔ 023 | Red + blue |
| | | | | 024 ⇔ 027 | Red + amber |
| | | | | 028 ⇔ 031 | Green + blue |
| | | | | 032 ⇔ 035 | Green + amber |
| | | | | 036 ⇔ 039 | Blue + amber |
| | | | | 040 ⇔ 043 | Red + green + blue |
| | | | | 044 ⇔ 047 | Red + green + amber |
| | | | | 048 ⇔ 051 | Red + blue + amber |
| | | | | 052 ⇔ 055 | Green + blue + amber |
| | | | | 056 ⇔ 059 | Red + green + blue + amber |
| 060 ⇔ 255 | Off | | | | |
| - | - | 13 | Auto speed | 000 ⇔ 255 | Auto speed, slow to fast |
| | | | Sound sensitivity (when Channel 8 is set to 242 ⇔ 255) | 000 ⇔ 010 | Sound sensitivity off |
| | | | | 011 ⇔ 255 | Control sound sensitivity |
| - | - | 14 | Dimmer speed mode | 000 ⇔ 051 | Preset dimmer speed from display menu |
| | | | | 052 ⇔ 101 | Dimmer speed mode off |
| | | | | 102 ⇔ 152 | Dimmer speed mode 1 (fastest) |
| | | | | 153 ⇔ 203 | Dimmer speed mode 2 |
| | | | | 204 ⇔ 255 | Dimmer speed mode 3 (slowest) |

Standalone Configuration

Set the product in one of the standalone modes to control without a DMX controller.



Never connect a product that is operating in any standalone mode to a DMX string connected to a DMX controller. Products in standalone mode may transmit DMX signals that could interfere with the DMX signals from the controller.

Preset Color Mode

To run the Freedom Par Q9 on a preset static color, follow the instructions below:

1. Press **<MENU>** repeatedly until **Static** shows on the display.
2. Press **<ENTER>**.
3. Use **<UP>** or **<DOWN>** to select **Preset**.
4. Press **<ENTER>**.
5. Use **<UP>** or **<DOWN>** to select a preset color, from **Red, Green, Blue, Amber, Yellow, Magenta, Sunset, Cyan, Lime Green, White, Sol, Seafoam, Turquoise, Orange, Baby Blue, Hot Pink, Emerald, Ocean, Baby Pink, Goldenrod, Sky, Lavender, Faded Orange, Fuschia, Ambient, 2700K, 3500K, 4000K, 5000K, or 6000K**.
6. Press **<ENTER>**.

Fixed Color Mode

To run the Freedom Par Q9 on a single static color or a combination of static colors, do the following:

1. Press **<MENU>** repeatedly until **Static** shows on the display.
2. Press **<ENTER>**.
3. Use **<UP>** or **<DOWN>** to select **Fixed Color**.
4. Press **<ENTER>**.
5. Use **<UP>** or **<DOWN>** to select a static color, from **R, G, B, A, RG, RB, RA,GB, GA, BA, RGB, RGA, RBA, GBA, or RGBA**.
6. Press **<ENTER>**.

Custom Color Mixing

To custom mix a static color, do the following:

1. Press **<MENU>** repeatedly until **Static** shows on the display.
2. Press **<ENTER>**.
3. Use **<UP>** or **<DOWN>** to select **Manual Color**.
4. Press **<ENTER>**.
5. Press **<ENTER>** and one of the following will show on display.
 - **R= ___** (red)
 - **G= ___** (green)
 - **B= ___** (blue)
 - **A= ___** (amber)
6. Press **<ENTER>** to cycle through the color settings.
7. When the desired color shows on the display, use **<UP>** or **<DOWN>** to increase or decrease the color value, from **0–255** (red, green, blue, amber).
8. Repeat steps 5 and 6 until the product outputs as desired.

Automatic Programs

To run the Freedom Par Q9 in automatic mode, follow the instructions below:

1. Press **<MENU>** repeatedly until **Auto Show** is displayed.
2. Press **<ENTER>**.
3. Use **<UP>** or **<DOWN>** to select an automatic program, from **Auto 1–9**.
4. Press **<ENTER>**.

To choose a foreground or background color for the auto programs, do the following:

1. Follow steps 1–4 above to select an automatic program.
2. Use **<UP>** or **<DOWN>** to select between **FG Color** (foreground color) and **BG Color** (background color).
3. Press **<ENTER>**.
4. Use **<UP>** or **<DOWN>** to select a static color, from **R, G, B, A, RG, RB, RA,GB, GA, BA, RGB, RGA, RBA, GBA, RGBA, or Off** (turns off foreground or background color).
5. Press **<ENTER>**.



The foreground and background color options are available only for auto programs 5–9.

To change the auto-program speed on the Freedom Par Q9, do the following:

1. Follow steps 1–4 above to select an automatic program.
2. Use **<UP>** or **<DOWN>** to select **Speed**.
3. Press **<ENTER>**.
4. Use **<UP>** or **<DOWN>** to increase or decrease the program speed, from **0–100**.
5. Press **<ENTER>**. The product will return to the last selected mode.

Sound Sensitivity

To set the sound sensitivity on the Freedom Par Q9, follow the instructions below:

1. Press **<MENU>** repeatedly until **Sound Show** is displayed.
2. Press **<ENTER>**.
3. Use **<UP>** or **<DOWN>** to increase or decrease the sound sensitivity, from **000–100**.
4. Press **<ENTER>**.

D-Fi Setting

To access the D-Fi Setting menu on the Freedom Par Q9, do the following:

1. Press **<MENU>** repeatedly until **D-Fi Setting** shows on the display.
2. Press **<ENTER>**.

To activate or deactivate the D-Fi mode on the Freedom Par Q9, follow the instructions below:

1. Access the D-Fi Setting menu to select the **D-Fi On/Off** option.
2. Use **<UP>** or **<DOWN>** to select **On** (to activate D-Fi mode) or **Off** (to deactivate D-Fi mode).
3. Press **<ENTER>**.

To set which D-Fi mode the Freedom Par Q9 will follow, do the following:

1. Access the D-Fi Setting menu to select the **D-Fi Mode** option.
2. Use **<UP>** or **<DOWN>** to select **Receive** (to set the product to receive D-Fi signal) or **Transmit** (to set the product to transmit D-Fi signal).
3. Press **<ENTER>**.

To set the D-Fi channel on the Freedom Par Q9, follow the instructions below:

1. Access the D-Fi Setting menu to select the **D-Fi Channel** option.
2. Use **<UP>** or **<DOWN>** to set the D-Fi channel, from **CH01–CH16**.
3. Press **<ENTER>**.

Operation

RF Setting

To set how the Freedom Par Q9 will receive RF signal and work with RF remotes, do the following:

1. Press **<MENU>** repeatedly until **RF Setting** shows on the display.
2. Press **<ENTER>**.
3. Use **<UP>** or **<DOWN>** to select from the following: **Link** (to link the product to a single RF remote), **Public** (to allow the fixture to respond to all RF signals), **Group** (to set which group of fixture the RFC/RFC-XL remote will control), or **Off** (to turn off RF reception).
4. Press **<ENTER>**.

To set the RF Group:

5. Use **<UP>** or **<DOWN>** to select **Group 1–4**.
6. Press **<ENTER>**.

Run Time

To adjust the run time on the Freedom Par H9 IP:

1. Press **<MENU>** repeatedly until **Run Time** shows on the display.
2. Press **<ENTER>**.
3. Use **<UP>** or **<DOWN>** to select the number of hours the fixture will run: **3 Hours**, **5 Hours**, **8 Hours**, **12 Hours**, or **STD**.
4. Press **<ENTER>**.



The maximum output is inversely proportional to the run time: The brighter the output, the less run time available.

Dimmer Mode

To select the dimmer mode, follow the instructions below:

1. Press **<MENU>** repeatedly until **Dimmer Mode** shows on the display.
2. Press **<ENTER>**.
3. Use **<UP>** or **<DOWN>** to select from **Dimmer 1** (fastest) to **3** (slowest) or **Off** (linear dimmer).
4. Press **<ENTER>**.

Display Back Light

To select how long a period of inactivity before the display automatically turns off, do the following:

1. Press **<MENU>** repeatedly until **Dimmer Mode** shows on the display.
2. Press **<ENTER>**.
3. Use **<UP>** or **<DOWN>** to select the back light timer: **10S** (10 seconds), **30S** (30 seconds), **2Min** (2 minutes), or **Always On**.
4. Press **<ENTER>**.

Password

To password protect a Freedom Par Q9 fixture, follow the instructions below:

1. Press **<MENU>** repeatedly until **Password** shows on the display.
2. Press **<ENTER>**.
3. Use **<UP>** or **<DOWN>** to select **On** (activates password protection) or **Off** (deactivates password protection).
4. Press **<ENTER>**.



When the password protection is activated, the product will prompt for the passcode in order to access the menu. The passcode is: <UP>, <DOWN>, <UP>, <DOWN>, <ENTER>.

Product Information

To view the product information, do the following:

1. Press **<MENU>** repeatedly until **Information** shows on the display. Press **<ENTER>**.
2. Use **<UP>** or **<DOWN>** to choose among:
 - **Fixture Hours** – to display the number of hours the fixture has been powered on
 - **LED Hours** – to display the total LED hours used
 - **Version** – to display the current software version of the fixture

Factory Reset

To reset the product to factory default settings, follow the instructions below:

1. Press **<MENU>** repeatedly until **Information** shows on the display. Press **<ENTER>**.
2. Use **<UP>** or **<DOWN>** to select **No** (cancel) or **Yes** (reset).
3. Press **<ENTER>**.

Master/Slave Mode

The Master/Slave mode allows a single Freedom Par Q9 product (the “master”) to control the actions of one or more Freedom Par Q9 products (the “slaves”) without the need of a DMX controller. The master product will be set to operate in Standalone, whereas the slave products will be set to operate in Slave mode. Once set and connected, the slave products will operate in unison with the master product. Configure the products as indicated below.

Slave products:

1. Press <MENU> repeatedly until **D-Fi Setting** shows on the display. Press <ENTER>.
2. Use <UP> or <DOWN> to select **D-Fi Mode**. Press <ENTER>.
3. Use <UP> or <DOWN> to select **Receive**. Press <ENTER>.
4. Press <MENU> repeatedly until **Slave Setting** shows on the display. Press <ENTER>.
5. Use <UP> or <DOWN> to select the slave unit(s), from **Slave1–4**. Press <ENTER>.
6. Set the DMX address to **001**.
7. Set the D-Fi to receive a specific channel, **CH01–CH16**.
8. Finish setting and connecting all the slave products.

Master product:

1. Set the master product to operate in standalone mode.
2. Set the D-Fi to transmit on the D-Fi channel the slaves are receiving on.
 - **For more information on how to activate the Freedom Par Q9 built-in D-Fi, see [D-Fi Setting](#).**
 - **All products must be set to the same DMX personality, DMX address, and D-Fi channel.**
 - **Configure all the slave products before configuring the master to transmit.**
 - **Never connect a DMX controller to a D-Fi channel configured for Master/Slave operation because the controller may interfere with the signals from the master.**



RFC Remote Control

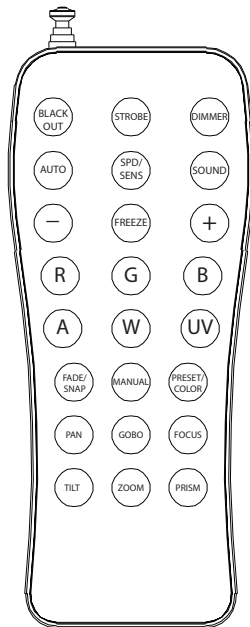
The Freedom Par Q9 can be operated with an RFC remote (comes with Freedom Par Q9X4) or an RFC-XL remote (sold separately). To enable RF control, follow the instructions below:

1. Press **<MENU>** repeatedly until **RF Settings** shows on the display.
2. Press **<ENTER>**.
3. Use **<UP>** or **<DOWN>** to select among **Link** (links the fixture to a single RF remote), **Public** (enables the fixture to respond to all RF signals), **Group** (sets which group of fixture the RFC/RFC-XL remote will control), or **Off** (deactivates RF linking).
4. Press **<ENTER>**.



For more information about using an RFC or RFC-XL remote, download the user manuals from www.chauvetdj.com

RFC Remote Control Operation



Automatic Mode

Automatic mode will enable you to run the automatic programs on the product.

To turn on Automatic mode:

1. Press **<AUTO>**.
2. Press **<+>** or **<->** to choose between the different auto programs.

To adjust the speed of the automatic program:

1. Press **<SPEED>**.
2. Press **<+>** or **<->** to increase or decrease the speed of the program.

Sound-Active Mode

To turn on Sound-Active mode:

1. Press **<SOUND>**.
2. Press **<+>** or **<->** to select a sound-active program.

To adjust the sound sensitivity:

1. Press **<SPD/SENS>**.
2. Press **<+>** or **<->** to increase or decrease the sensitivity.

Freeze

To stop all movement and color chasing in all fixtures:

1. Press **<FREEZE>**.

Color Control

To cycle through the product's preset static colors:

1. Press **<PRESET/COLOR>**.
2. Press **<+>** or **<->** to select among the preset static colors.

To manually adjust a color:

1. Press **<MANUAL>**.
2. Select the color to be edited, from **<R>** (red), **<G>** (green), **** (blue), or **<A>** (amber).
3. Press **<+>** or **<->** to increase or decrease the value of the selected color.
4. Repeat steps 2 and 3 until the product outputs as desired.

Strobe

To adjust the strobe rate of the product:

1. Press **<STROBE>**.
2. Press **<+>** or **<->** to increase or decrease the strobe rate.
3. Press **<STROBE>** again to turn off the strobe.

Dimmer

To adjust the total output of the product:

1. Press **<DIMMER>**.
2. Press **<+>** or **<->** to increase or decrease the output level.

Black Out

To black out the lights of the product:

1. Press **<BLACK OUT>**. This will turn off all the lights until the button is pressed again.



The RFC remote will not respond to any inputs when Freeze or Black Out is activated. If the remote does not respond when a button is pressed, try pressing **<FREEZE>** or **<BLACK OUT>**. You may have inadvertently activated Freeze or Black Out.

5. Maintenance

Product Maintenance

Dust build-up reduces light output performance and can cause overheating. This can lead to reduction of the light source's life and/or mechanical wear. To maintain optimum performance and minimize wear, clean all lighting products at least twice a month. However, be aware that usage and environmental conditions could be contributing factors to increase the cleaning frequency.

To clean the product, follow the instructions below:

1. Unplug the product from power.
2. Wait until the product is at room temperature.
3. Use a vacuum (or dry compressed air) and a soft brush to remove dust collected on the external surface/vents.
4. Clean all transparent surfaces with a mild soap solution, ammonia-free glass cleaner, or isopropyl alcohol.
5. Apply the solution directly to a soft, lint-free cotton cloth or a lens-cleaning tissue.
6. Softly drag any dirt or grime to the outside of the transparent surface.
7. Gently polish the transparent surfaces until they are free of haze and lint.



Always dry the transparent surfaces carefully after cleaning them.

6. Technical Specifications

Dimensions and Weight

Freedom Par Q9

| Length | Width | Height | Weight |
|-----------------|-----------------|-----------------|-----------------|
| 4.7 in (120 mm) | 4.7 in (120 mm) | 4.9 in (126 mm) | 4.6 lb (2.1 kg) |

Freedom Par Q9X4

| Length | Width | Height | Weight |
|------------------|------------------|------------------|--------------------|
| 15.8 in (402 mm) | 13.7 in (349 mm) | 19.8 in (503 mm) | 25.6 lb (11.61 kg) |

Note: Dimensions in inches rounded to the nearest hundredth.

Power

| Power Supply Type | Range |
|-------------------|------------------|
| External | 24 VDC, 50/60 Hz |

| Parameter | 120 V, 60 Hz | 230 V, 50 Hz |
|-------------------|--------------|--------------|
| Consumption | 31 W | 30 W |
| Operating current | 0.3 A | 0.2 A |

Battery Power

| Capacity | Voltage | Watt Hours | Lithium Content | |
|----------|----------|------------|-------------------|------------------|
| 4400 | 18.5 VDC | 81.4 Wh | 0.78 g (per cell) | 7.8 g (per pack) |

Light Source

| Type | Quantity | Color | Power | Current | Lifespan |
|------|----------|-----------------|-------|---------|--------------|
| LED | 9 | Quad-color RGBA | 6 W | 2.3 A | 50,000 hours |

Photometrics

| Parameter | Value |
|-------------------|------------|
| Strobe rate | 0 to 22 Hz |
| Beam angle | 14° |
| Field angle | 35° |
| Illuminance @ 2 m | 3,580 lux |

Thermal

| Maximum External Temperature | Cooling System |
|------------------------------|----------------|
| 104 °F (40 °C) | Convection |

DMX

| Input/Output | Channel Range |
|--------------|---------------|
| D-Fi | 4, 6, or 14 |

Ordering

| Product Name | Item Code | UPC Number |
|------------------|-----------|--------------|
| Freedom Par Q9 | 03032026 | 781462223748 |
| Freedom Par Q9X4 | 03032026 | 781462223663 |



Contact Us

| General Information | Technical Support |
|--|--|
| Chauvet World Headquarters | |
| Address: 3360 Davie Rd., Suite 509 Davie, FL 33314 Voice: (954) 577-4455 Fax: (954) 929-5560 Toll Free: (800) 762-1084 | Voice: (844) 393-7575 Fax: (954) 756-8015 Email: chauvetcs@chauvetlighting.com Website: www.chauvetprofessional.com |
| Chauvet U.K. | |
| Address: Pod 1 EVO Park Little Oak Drive, Sherwood Park, Nottinghamshire, NG15 0EB UK Voice: +44 (0) 1773 511115 Fax: +44 (0) 1773 511110 | Email: UKtech@chauvetlighting.eu Website: www.chauvetprofessional.eu |
| Chauvet Benelux | |
| Address: Stokstraat 18 9770 Kruishoutem Belgium Voice: +32 9 388 93 97 | Email: BNLtech@chauvetlighting.eu Website: www.chauvetprofessional.eu |
| Chauvet France | |
| Address: 3, Rue Ampère 91380 Chilly-Mazarin France Voice: +33 1 78 85 33 59 | Email: FRtech@chauvetlighting.fr Website: www.chauvetprofessional.eu |
| Chauvet Germany | |
| Address: Bruno-Bürgel-Str. 11 28759 Bremen Germany Voice: +49 421 62 60 20 | Email: DEtech@chauvetlighting.de Website: www.chauvetprofessional.eu |
| Chauvet Mexico | |
| Address: Av. de las Partidas 34 - 3B (Entrance by Calle 2) Zona Industrial Lerma Lerma, Edo. de México, CP 52000 Voice: +52 (728) 690-2010 | Email: servicio@chauvet.com.mx Website: www.chauvetprofessional.mx |

Warranty & Returns

For warranty terms and conditions and return information, please visit our website.

For customers in the United States and Mexico: www.chauvetlighting.com/warranty-registration.

For customers in the United Kingdom, Republic of Ireland, Belgium, the Netherlands, Luxembourg, France, and Germany: www.chauvetlighting.eu/warranty-registration.