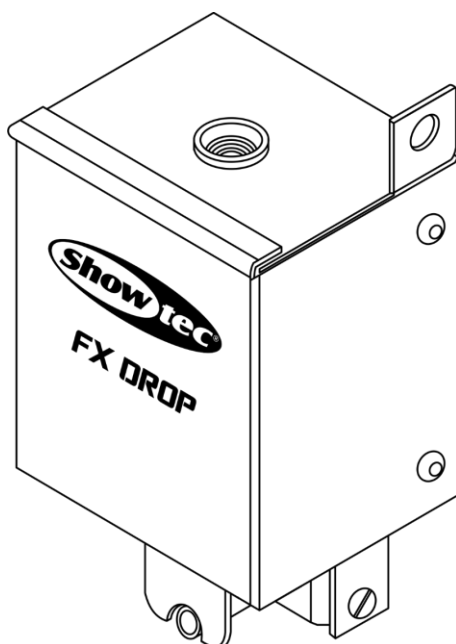




# MANUAL



ENGLISH

**FX Drop**

**V1**

Order code: 61040

**Table of contents**

---

<b>Warning</b> .....	2
Safety Instructions .....	2
Operating Determinations .....	3
Rigging .....	4
Connection with the Mains.....	4
Return Procedure.....	5
Claims.....	5
<b>Description of the Device</b> .....	6
Front View.....	6
Back View.....	7
<b>Installation</b> .....	8
Multiple Fixtures Power Linking .....	8
Setup with One FX Drop .....	8
Setup with Multiple FX Drops.....	9
Suspending Objects .....	10
<b>Operation</b> .....	11
Without a Switch Pack .....	11
With a Switch Pack .....	11
Releasing Suspended Objects Manually .....	11
<b>Maintenance</b> .....	11
<b>Troubleshooting</b> .....	11
<b>Product Specifications</b> .....	12
<b>Dimensions</b> .....	13

## Warning



**For your own safety, please read this user manual carefully  
before your initial start-up!**

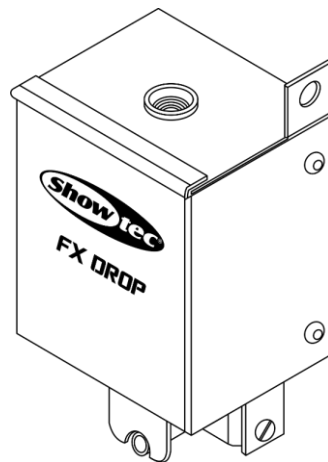


### Unpacking Instructions

Immediately upon receiving this product, carefully unpack the carton and check the contents to ensure that all parts are present, and have been received in good condition. Notify the dealer immediately and retain packing material for inspection if any parts appear damaged from shipping or the carton itself shows signs of mishandling. Save the carton and all packing materials. In the event that a fixture must be returned to the factory, it is important that the fixture will be returned in the original factory box and packing.

### Your shipment includes:

- Showtec FX Drop
- User manual



### Safety Instructions

Every person involved with the installation, operation and maintenance of this device has to:

- be qualified
- follow the instructions of this manual



**CAUTION! Be careful with your operations.  
With a dangerous voltage you can suffer  
a dangerous electric shock when touching the wires!**



Before the initial start-up, please make sure that there is no damage caused by transportation. Should there be any, consult your dealer and do not use the device.

To maintain perfect condition and to ensure a safe operation, it is absolutely necessary for the user to follow the safety instructions and warning notes contained in this manual.

Please consider that damages caused by manual modifications to the device are not subject to warranty.

This device contains no user-serviceable parts. Refer servicing to qualified technicians only.

**IMPORTANT:**

The manufacturer will not accept liability for any resulting damages caused by the non-observance of this manual or any unauthorized modification to the device.

- Never let the power cord come into contact with other cables! Handle the power cord and all connections with the mains with particular caution!
- Never remove warning or informative labels from the unit.
- Never leave any cables lying around.
- Do not exceed the loading capacity of 20 kg.
- Do not open the device. It does not contain user-serviceable parts.
- Only operate the device after having familiarized with its functions.
- Avoid flames and do not put close to flammable liquids or gases.
- Always disconnect power from the mains, when device is not used or before cleaning!
- This product is not intended for permanent installation.
- Make sure that the available voltage is not higher than stated on the information label.
- Make sure that the cables are never crimped or damaged. Check the device and the cables from time to time.
- If device was dropped or struck, disconnect mains power supply immediately. Have a qualified engineer inspect for safety before operating.
- If the device has been exposed to drastic temperature fluctuation (e.g. after transportation), do not switch it on immediately. The arising condensation water might damage your device. Leave the device switched off until it has reached room temperature.
- If your Showtec device fails to work properly, discontinue the use immediately. Pack the unit securely (preferably in the original packing material), and return it to your Showtec dealer for service.
- For adult use only. The fixture must be installed beyond the reach of children. Never leave the unit running unattended.
- The user is responsible for correct positioning and operating of the FX Drop. The manufacturer will not accept liability for damages caused by the misuse or incorrect installation of this device.
- Repairs, servicing and electric connection must be carried out by a qualified technician.
- WARRANTY: Till one year after date of purchase.

**Operating Determinations**

- This device is not designed for permanent operation. Consistent operation breaks will ensure that the device will serve you for a long time without defects.
- The minimum ambient temperature  $t_a = 0\text{ °C}$  and the maximum ambient temperature  $t_a = 30\text{ °C}$  must never be exceeded.
- In order to eliminate wear and improve the device's lifespan, during periods of non-use, completely disconnect from power source via breaker or by unplugging.
- The relative humidity must not exceed 75 % with an ambient temperature of 30 °C.
- The device must not be installed in the vicinity of a source of vibration.
- If this device is operated in any other way, than the one described in this manual, the product may suffer damages and the warranty becomes void.
- Any other operation may lead to dangers like short-circuit, burns, electric shock, crash etc.

*You endanger your own safety and the safety of others!*

## Rigging

Please follow the European and national guidelines concerning rigging, trussing and all other safety issues.

*Do not attempt the installation yourself!*

*Always let the installation be carried out by an authorized dealer!*

### Procedure:

- Use a clamp to mount the FX Drop to the trussing system.
- Mount the FX Drop vertically under the truss construction.
- The installation must always be secured with a safety attachment, e.g. an appropriate safety net or safety cable, see Fig. 01.
- When rigging, derigging or servicing the FX Drop, always make sure, that the area under the installation place is blocked and staying in the area is forbidden.

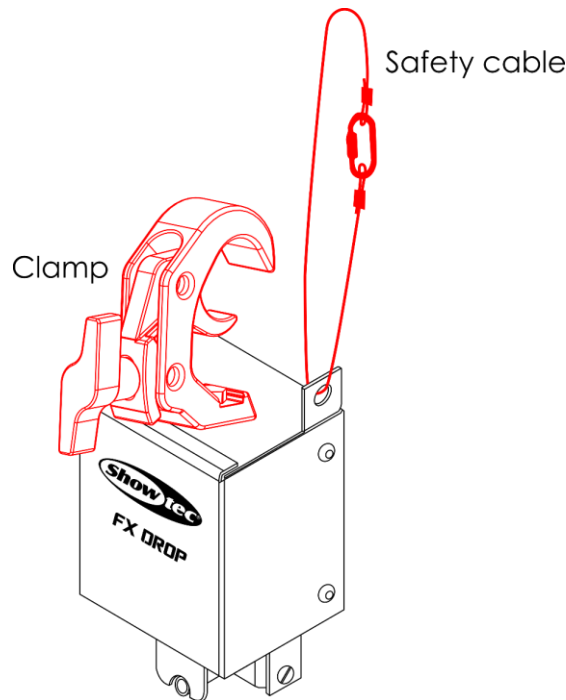


Fig. 01

*Improper installation can cause serious injuries and/or damage of property!*


## Connection with the Mains

Connect the device to the mains with the power plug. For more information, see **Operation** on page 11.



**When the FX Drop is powered, it will release the suspended object immediately.**

Always check if the right color cable is connected to the right place.

International	EU Cable	UK Cable	US Cable	Pin
L	BROWN	RED	YELLOW/COPPER	PHASE
N	BLUE	BLACK	SILVER	NEUTRAL
	YELLOW/GREEN	GREEN	GREEN	PROTECTIVE GROUND

*Make sure that the device is always properly connected to the earth!*

*Improper installation can cause serious injuries and/or damage of property!*



### **Return Procedure**

Returned merchandise must be sent prepaid and in the original packing, call tags will not be issued. Package must be clearly labeled with a Return Authorization Number (RMA number). Products returned without an RMA number will be refused. Highlite will not accept the returned goods or any responsibility. Call Highlite 0031-455667723 or mail [aftersales@highlite.com](mailto:aftersales@highlite.com) and request an RMA prior to shipping the fixture. Be prepared to provide the model number, serial number and a brief description of the cause for the return. Be sure to properly pack fixture, any shipping damage resulting from inadequate packaging is the customer's responsibility. Highlite reserves the right to use its own discretion to repair or replace product(s). As a suggestion, proper UPS packing or double-boxing is always a safe method to use.

**Note: If you are given an RMA number, please include the following information on a piece of paper inside the box:**

- 01) Your name
- 02) Your address
- 03) Your phone number
- 04) A brief description of the symptoms

### **Claims**

The client has the obligation to check the delivered goods immediately upon delivery for any shortcomings and/or visible defects, or perform this check after our announcement that the goods are at their disposal. Damage incurred in shipping is the responsibility of the shipper; therefore the damage must be reported to the carrier upon receipt of merchandise.

It is the customer's responsibility to report and submit claims with the shipper in the event that a fixture is damaged due to shipping. Transportation damage has to be reported to us within one day after receipt of the delivery.

Any return shipment has to be made post-paid at all times. Return shipments must be accompanied with a letter defining the reason for return shipment. Non-prepaid return shipments will be refused, unless agreed otherwise in writing.

Complaints against us must be prepared in writing or sent by fax within 10 working days after receipt of the invoice. After this period complaints will not be handled anymore.

Complaints will only then be considered if the client has so far complied with all parts of the agreement, regardless of the agreement from which the obligation is resulting.

## Description of the Device

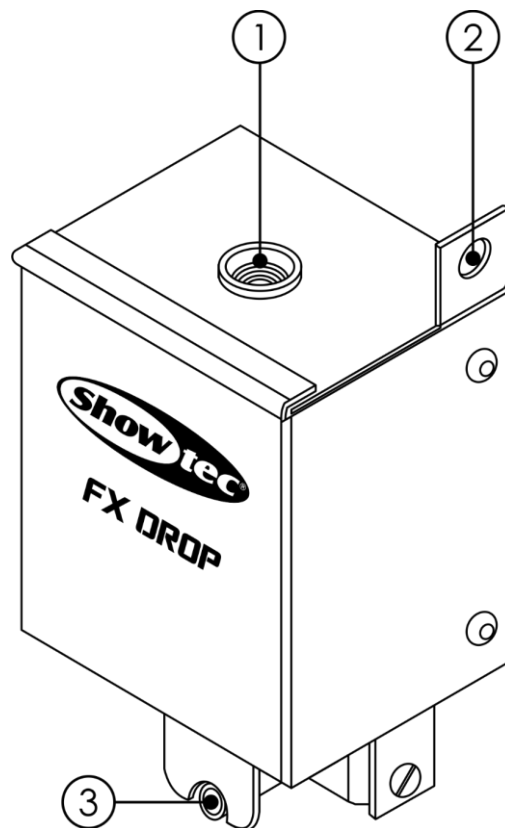
### Features

The Showtec FX Drop is a plug-and-play curtain drop tool. Once the FX Drop is powered, it will release the hook. The maximum load capacity is 20 kg. The FX Drop features powerCON in- and outputs which makes it easy to daisy-chain multiple FX Drops in a single power line.

The Showtec FX Drop is suitable for creating Kabuki drop effect using curtains, drapes, cloths, backdrops or for releasing balloons, banners, and other similar objects.

- Power input: 230 V AC, 50 Hz
- Power output: 230 V AC, 50 Hz
- Power consumption: 30 W
- Power connections: PowerCON IN/OUT
- Load capacity: 20 kg
- Rigging: M10 screw thread
- Dimensions: 156 x 80 x 78 mm (L x W x H)
- Weight: 0,92 kg

### Front View



- 01) M10 screw thread
- 02) Safety eye
- 03) Drop hook

Fig. 02

## Back View

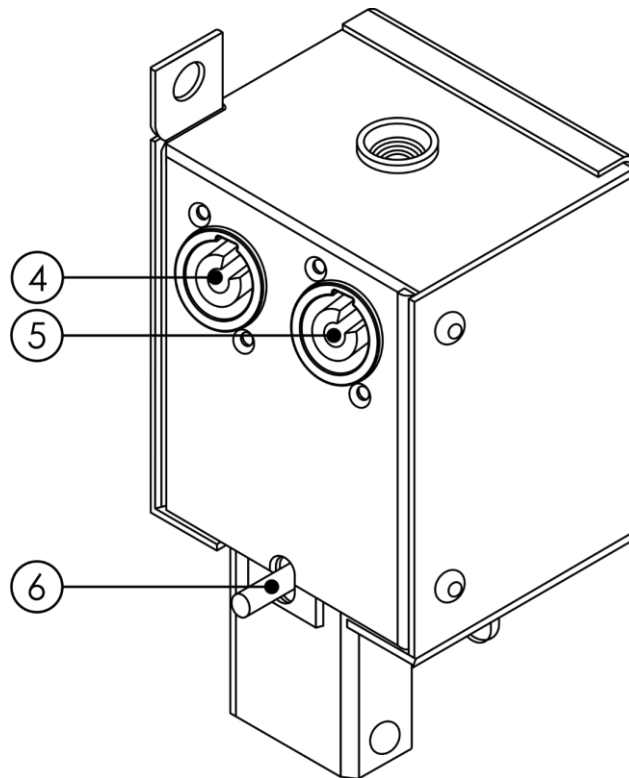


Fig. 03

- 04) PowerCON connector IN
- 05) PowerCON connector OUT
- 06) Release pin

**Note:** In order to control multiple FX Drops, you will need a switch pack or a similar ON/OFF controller. You can purchase one from Highlite International.

The FX Drop is delivered without power cable and without mounting clamp.

### Accessories

- [50753](#) – Showtec RP-405 MKII Relay Pack (switch pack)
- [75007B](#) – Showtec 50 mm Q-trigger coupler, SWL: 100 kg
- [70315](#) – Quick Trigger Slimline Basic
- [90601](#) – Showtec power cable Pro Power connector to Schuko, 3 m, 3 x 1,5 mm<sup>2</sup>
- [90527](#) – Showtec power cable Neutrik powerCON to Schuko, 1,5 m, 3 x 2,5 mm<sup>2</sup>
- [90812](#) – DAP power cable blue/white Pro Power Connector, 1,5 m, 3 x 1,5 mm<sup>2</sup>
- [90536](#) – Showtec power cable Neutrik powerCON M/F, 1,5 m, 3 x 1,5 mm<sup>2</sup>



### Installation

---

Remove all packing materials from the FX Drop. Check if all foam and plastic padding is removed.

**Do not supply power before the whole system is set up and connected properly.**  
**Always disconnect from electric mains power supply before cleaning or servicing.**  
**Damages caused by non-observance are not subject to warranty.**

#### Multiple Fixtures Power Linking

The FX Drop supports power linking. Power can be relayed to another device via the power OUT connector. Note that the input and the output connectors have different designs: one type cannot be connected to the other.

To link fixtures in a chain, a hard usage cable with appropriate cable jacket must be used. Power linking cables are available for purchase from Highlite International.

To prevent power overload and damage to the fixture, do not link more fixtures in one chain than recommended. After you have reached the maximum number of fixtures, use a new power outlet.



**Maximum recommended number of fixtures on a power link @ 230 V: 25 fixtures**

#### Setup with One FX Drop

- 01) Fasten the FX Drop to a firm trussing using a clamp. See **Rigging** on page 4. Make sure the FX drop is mounted vertically under the truss construction.
- 02) Use a safety cable to secure the FX Drop to the trussing.
- 03) Hang the object that will be released. See **Suspending objects** on page 10.



**The maximum load capacity is 20 kg. Do not to exceed the maximum load capacity.**

- 04) Connect the FX Drop to a switch pack. Make sure the switching device is suitable for switching the electricity.

**Note:** You can connect the FX Drop directly to a power outlet using a power cable but this will immediately release the suspended object.



**When the FX Drop is powered, it will release the suspended object immediately.**

## Setup with Multiple FX Drops

- 01) Determine the position of the first and the last FX Drops based on the width of the cloth/object that needs to be suspended.
- 02) Fasten the first FX Drop to a firm trussing using a clamp. See **Rigging** on page 4. Make sure the FX drop is mounted vertically under the truss construction.
- 03) Use a safety cable to secure the FX Drop to the trussing.
- 04) Repeat steps 1 and 2 above to mount the last FX Drop.
- 05) Place the rest of the FX Drops at equal intervals between the first and the last FX Drop. Make sure the distance between the FX Drops is not bigger than 1 m. This will prevent the cloth from sagging and will provide enough stability. See Fig. 04
- 06) Repeat steps 1 and 2 above to mount the remaining FX Drops.
- 07) Plug an electric power cord into the first unit's IN socket. Do not supply power yet.
- 08) Link the FX Drops in a daisy-chain using appropriate power linking cables. See **Multiple Fixtures Power Linking** on page 8.



**Maximum recommended number of fixtures on a power link @ 230 V: 25 fixtures**

- 09) Hang the object that will be released. See **Suspending objects** on page 10.



**The maximum load capacity is 20 kg. Do not to exceed the maximum load capacity.**

- 10) Connect the first FX Drop to a switch pack. Make sure the switching device is suitable for disconnecting the power supply.

**Note:** You can connect the FX Drop directly to a power outlet using a power cable but this will immediately release the suspended object.



**When the FX Drop is powered, it will release the suspended object immediately.**

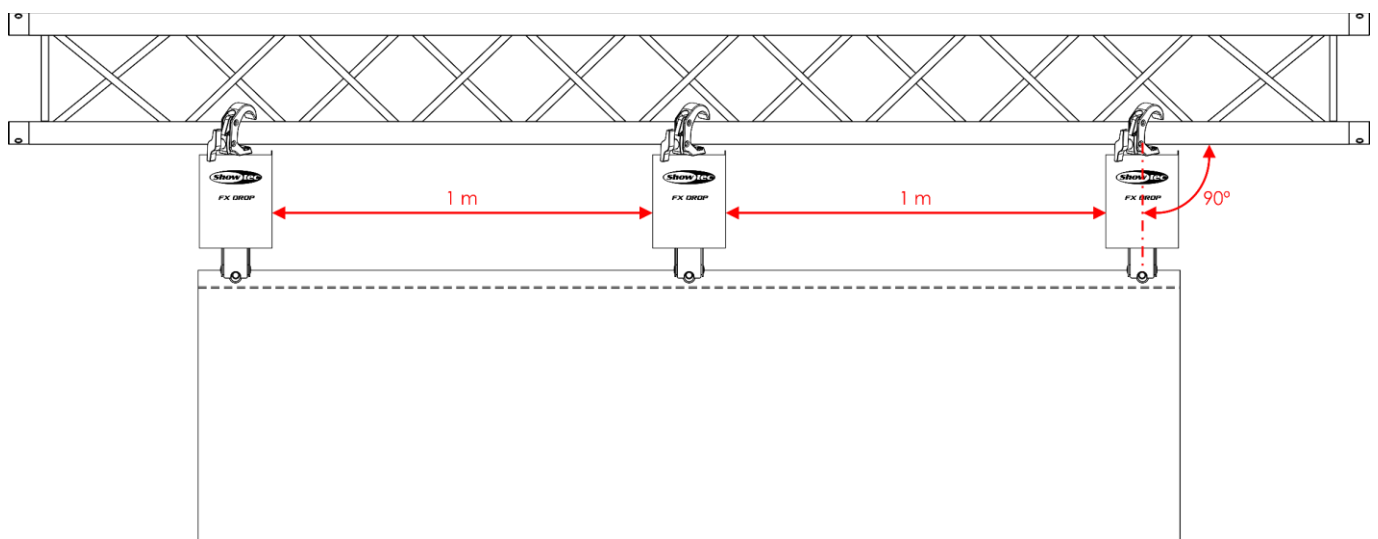


Fig. 04

## Suspending Objects

To suspend an object on the FX Drop follow the steps below:

- 01) Push the **release pin (06)** on the backside of the FX Drop upwards to release the **drop hook (03)** as shown on Fig. 05.
- 02) Hang the object by sliding the grommet onto the **drop hook (03)** as shown on Fig. 06.



**The maximum load capacity is 20 kg. Do not to exceed the maximum load capacity.**

**Note:** If the cloth or the object does not have grommets or other eyelets suitable for hanging, you can use curtain clips (order codes: 89092 / 89093).

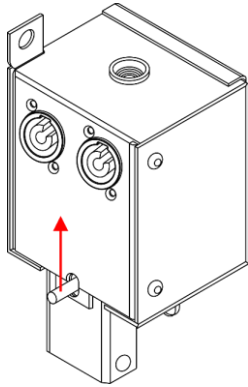


Fig. 05

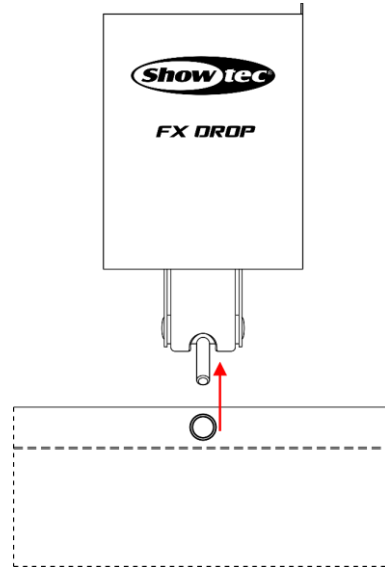


Fig. 06

- 03) Push the **drop hook (03)** upwards to lock it at its place as shown on Fig. 07. The object will be now securely suspended as shown on Fig. 08.

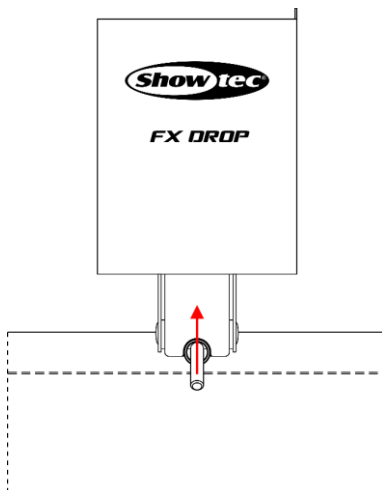


Fig. 07

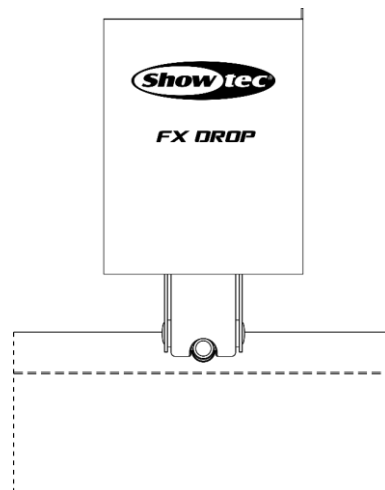


Fig. 08

- 04) Repeat steps 1 – 3 above if the object has multiple hanging points.

## Operation

---

Follow the directions below, as they pertain to your preferred operation mode.

Before plugging the unit in, always make sure that the power supply matches the product specification voltage. Do not attempt to operate a 120 V specification product on 230 V power, or vice versa.

### Without a Switch Pack

If you are not using a switch pack to control the FX Drop, you can connect the FX Drop directly to a power outlet using a power cable. The release system will be automatically activated when the FX Drop is powered. The drop hook will open and will release the object.



**When the FX Drop is powered, it will release the suspended object immediately.**

### With a Switch Pack

If you are using a switch pack to control the FX Drop, follow the instructions of the user manual supplied with the switch pack. Switch on the power to activate the release system.

**Note:** Make sure that the power remains turned on for more than 1 s.

### Releasing Suspended Objects Manually

If you want to reposition the object, you can release the **drop hook (03)** manually. Push the **release pin (06)** upwards to open the **drop hook (03)**. The object will be released.

## Maintenance

---

Inspect all parts and mounting points of the FX Drop before use. Do not use if parts are weakened, discolored, brittle, or otherwise degraded, damaged, or worn.

The FX Drop requires almost no maintenance. However, you should keep the unit clean. Disconnect the mains power supply, and then wipe the device with a damp cloth. Do not immerse in liquid. Do not use alcohol or solvents.

Keep connections clean. Disconnect electric power and then wipe the connections with a damp cloth. Make sure connections are thoroughly dry before linking equipment or supplying electric power.

## Troubleshooting

---

This troubleshooting guide is meant to help solve simple problems.

If a problem occurs, carry out the steps below in sequence until a solution is found. Once the unit operates properly, do not carry out following steps.

### The FX Drop does not drop the object when power is supplied:

- 01) Check if power is switched on and cables are plugged in.
- 02) Check whether the load is not heavier than 20 kg.
- 03) Supply the FX Drop with power for a longer period.

If none of the above works or if you are unable to determine the cause of the problem, do not open the FX Drop, as this may damage the unit and the warranty will become void. Return the fixture to your Showtec dealer.

The unit does not contain user-serviceable parts.

## Product Specifications

---

Model:	Showtec FX Drop
Power input:	230 V AC, 50 Hz
Power output:	230 V AC, 50 Hz
Power consumption:	30 W
Power connections:	PowerCON IN/OUT connectors
Load capacity:	20 kg
Rigging:	M10 screw thread
Dimensions:	156 x 80 x 78 mm (L x W x H)
Weight:	0,92 kg
Max. ambient temperature $t_a$ :	30 °C

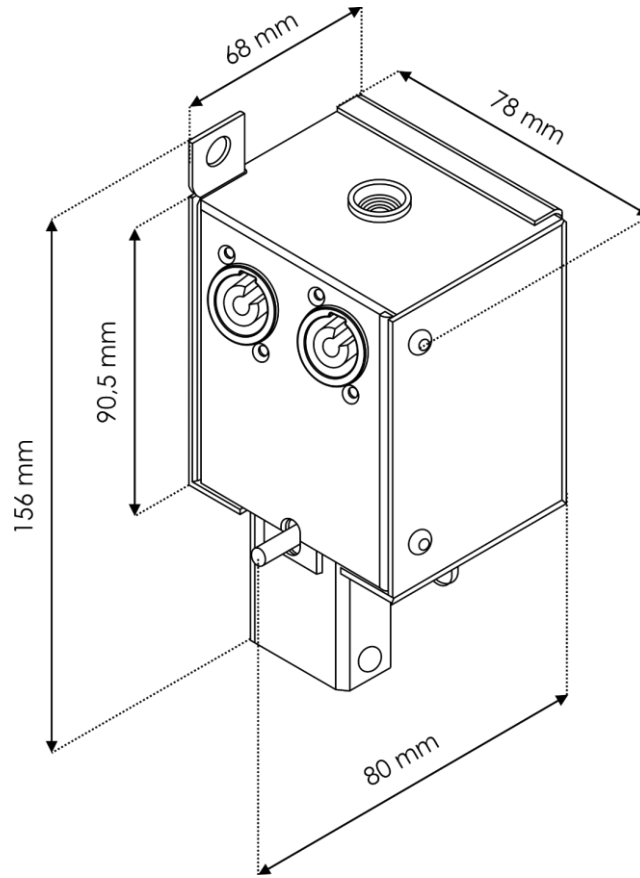
Design and product specifications are subject to change without prior notice.



Website: [www.Showtec.info](http://www.Showtec.info)

Email: [service@highlite.com](mailto:service@highlite.com)

## Dimensions







©2019 Showtec