

1 2 3 4 5 6

A

A

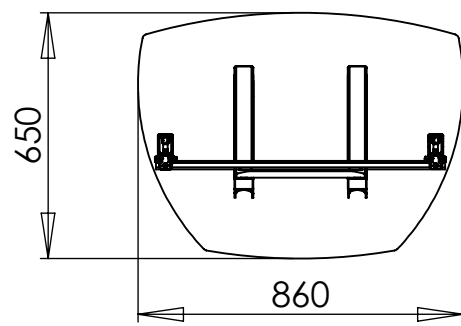
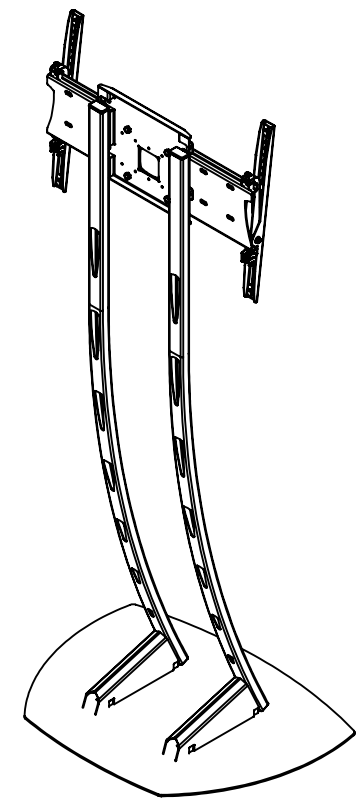
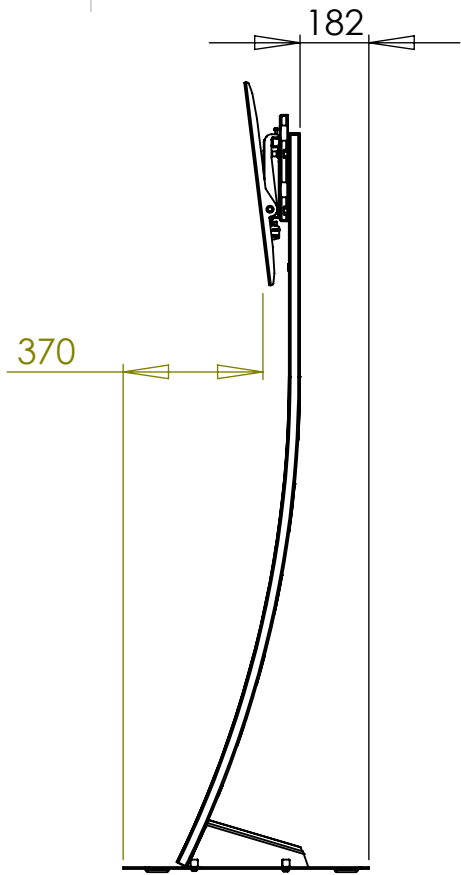
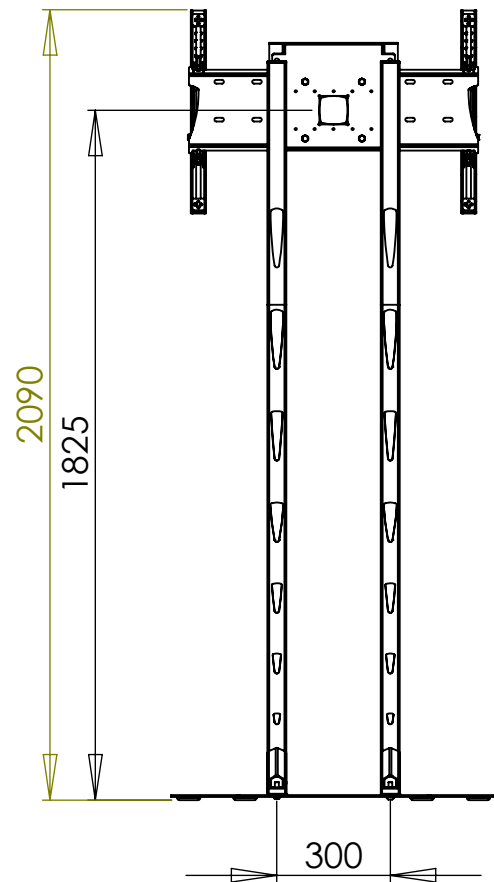
B

B

C

C

D



Bend Tool

| | | | | |
|--|--|---------------------------|--------------|----------------------|
| Description | | Parabella Stand With Pzw1 | | |
| UNLESS OTHERWISE SPECIFIED: DIMENSIONS ARE IN MILLIMETERS | | Mod Date | 10/10/2016 | REVISION |
| SURFACE FINISH: Powder Coated | | Drawn Date: | 06/11/2006 | A-003 |
| DRAWN Specials Three | | Material | | |
| Unicol Engineering Green Road Oxford OX3 8EU | | Gauge | | |
| WEIGHT: 171922.67171922kg | | | DWG NO. | Pa2pzw1 |
| | | | SCALE:1:20 | DO NOT SCALE DRAWING |
| | | | SHEET 1 OF 1 | |

A4

1 2 3 4 5 6