



TECHNICAL DATA SHEET

UE K- Base 350 ECO

Article code : PFPFBA001101

The UE K- Base 350 Eco is compact, economical and makes little noise. It is intended for small and medium, fixed or mobile installations, and for visual presentations using virtual flames and inflatable designs. Autonomous, it may be used individually or grouped, and may be spread throughout the lighting.

NOMENCLATURE:

- 1 x UE K- Base 350 Eco
- 4 x clamping buttons for heads

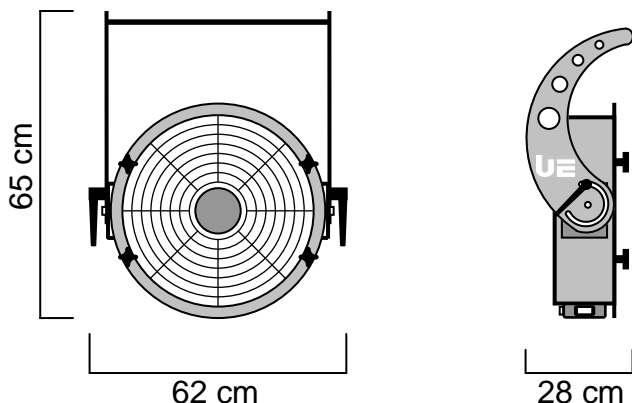


TECHNICAL SPECIFICATIONS:

Dimensions: L 28 x W 62 x H 65 cm
Weight: 12.2 Kg
Electrical characteristics:
230V – 50/60Hz – 355W – 1.55A – IP 44
In accordance with norm CE ERP 2015

CHARACTERISTICS:

Loudness 74 dB / 3m indoor (High speed version).
Adjusting vertically on 110°.
Possibility to attach under a structure.
Ground feet in option.



AVAILABLE HEADS :

- | | |
|-----------------------|-------------------------|
| UE Head Foam 350 | UE Head Jet-Bubbles 350 |
| UE Head Snow 350 | UE Head Striptease 350 |
| UE Head Twin 350 | UE Head Wind 350 |
| UE Head Fragances 350 | UE Head AirFlame 350 |

OPTIONAL ACCESSORIES:

- UE Ground Foot 350
- UE Fequency Variator 16A
- UE Head Snow Face (Delivered with the Snow head)
- UE Box DMX Switch & Dimmer

Made in ALUMINIUM and INOX, The K-UE Base 350 Eco is made to last. Each item has been selected for its quality and efficacy.

Universal-Effects, Technology Made in France Quality

Universal-Effects Europe – Parc de l'Evènement, 1 Allée d'Effiat, 91160 LONGJUMEAU – FRANCE
Factory & Delivery : Universal-Effects Manufacture – 87 Route de Montcenis, 71200 LE CREUSOT – FRANCE
Office +33 (0)385 730 747 – Fax +33 (0)385 730 745 – Email info@universal-effects.com – www.universal-effects.com

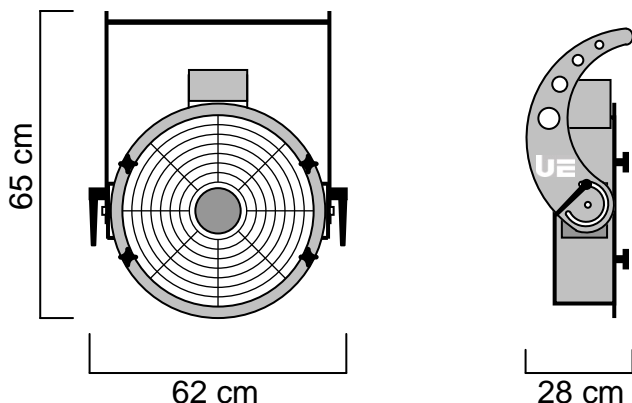
UE K- Base 350 DMX

Article code : PFPFBA001111

The UE K- Base 350 is compact, economical and makes little noise. It is intended for small and medium, fixed or mobile installations, and for visual presentations using virtual flames and inflatable designs. Autonomous, it may be used individually or grouped, and may be spread throughout the lighting. Electronic local control or DMX control for the speed variation and effects, for the DMX version. It is equipped with professional connections, and a resettable fuse.

NOMENCLATURE:

- 1 x UE K- Base 350 DMX
- 4 x clamping buttons for heads
- 1 x PowerCon cable 5m



TECHNICAL SPECIFICATIONS:

Dimensions: L 28 x W 62 x H 65 cm

Weight: 13 Kg

Electrical characteristics:

230V – 50/60Hz – 355W – 1.55A – IP 44

In accordance with norm CE ERP 2015

CHARACTERISTICS:

Loudness 74 dB / 3m indoor (High speed version).

Adjusting vertically on 110°.

Bracket for hanging.

Possibility to place on the ground or with the bracket under.

Electronic speed variation

Integrated electronic control with Timer and DMX.

AVAILABLE HEADS :

UE Head Foam 350

UE Head Snow 350

UE Head Twin 350

UE Head Fragances 350

UE Head Jet-Bubbles 350

UE Head Striptease 350

UE Head Wind 350

UE Head AirFlame 350

OPTIONAL ACCESSORIES:

- UE Ground Foot 350

Made in ALUMINIUM and INOX, The K-UE Base 350 is made to last. Each item has been selected for its quality and efficacy.

Universal-Effects, Technology Made in France Quality



TECHNICAL DATA SHEET

UE Head Striptease 350

Article code: PFPJPJ001117

The UE Striptease is specially designed to give a snowfall effect for paper, confetti or silver glitter. This machine focuses the effects on a very concentrated area, and is ideal for stage effects and catwalks. The flow can be adapted using a variator.

NOMENCLATURE:

- 1 x UE Head Striptease 350



TECHNICAL SPECIFICATIONS:

Dimensions: L 89 x W 89 x H 37

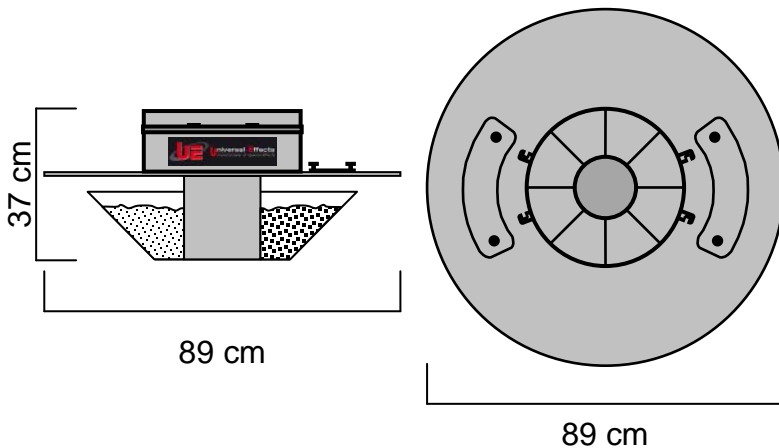
Weight: 10.2 Kg

Confetti tank capacity: from 3 to 4 Kg depending on consumable.

CHARACTERISTICS:

Manual filling by the removable door upside

Effect on 360°, projection from 3 to 5m



AVAILABLE BASE:

- UE K- Base 350

CONSUMPTION:

The effect will last 2 sec to 3 min, depending on the consumable and the speed of the flow.

CONSUMABLES:

Stage confetti, paper snow, plastic snow, raining glitter

Universal-Effects, Technology Made in France Quality

Universal-Effects Europe – Parc de l'Evènement, 1 Allée d'Effiat, 91160 LONGJUMEAU – FRANCE
Factory & Delivery : Universal-Effects Manufacture – 87 Route de Montcenis, 71200 LE CREUSOT – FRANCE
Office +33 (0)385 730 747 – Fax +33 (0)385 730 745 – Email info@universal-effects.com – www.universal-effects.com